

# D80 Series

Dry or Liquid Filled • Stainless Steel Case

UTILITY GAUGES



D82LFB shown



- ▶ 1 1/2", 2", 2 1/2", 4" Dial Sizes
- ▶ ±1.6% Accuracy (1% Optional)
- ▶ Stainless Steel Case
- ▶ Glycerine Fill Standard

The Trerice **D80 Series** Industrial Gauge is designed for rugged performance requirements at an economical cost. This liquid filled gauge is furnished with a stainless steel case and crimped ring. Wetted parts are either bronze tube with Lead-Free (PBF) brass socket or stainless steel.

- **Optional features and case style variations available: Please consult the Options & Accessories Section for details.**
- **For correct use and application of all pressure gauges, please refer to: Pressure Gauge Standard ASME B40.100.**

**Note: "NEW" Range Codes**

## HOW TO ORDER

Sample Order Number: **D82LFB 25 02 L A 300**

Model	Dial Size	Connection Size	Connection Location	Units of Measure	Range Code
D82LFB	15 1 1/2"	01 1/8 NPT*	L Lower	A psi	See Standard Ranges
D83LFSS	20 2"	02 1/4 NPT**	B Back	D psi/kPa	
D82B	25 2 1/2"	04 1/2 NPT***			Note: "NEW" Range Codes
D83SS	40 4"				

\* 1/8 NPT connection size not available with 4" dial size.  
 \*\* 1/4 NPT connection size not available with 1 1/2" dial size.  
 \*\*\* 1/2 NPT connection size only available with 4" dial size.

## Specifications

Models	Wetted Parts
D82B (dry)	Bronze tube, brass socket
D82LFB (liquid filled)	Lead-Free (PBF) Meets NSF/ANSI Standards 372 and 61
D83SS (dry)	316 Stainless steel tube & socket
D83LFSS (liquid filled)	
<b>Dial Sizes</b>	1 1/2", 2", 2 1/2", 4"
<b>Fill</b>	Glycerine, other fills available See Optional Features Section
<b>Movement</b>	<b>D82:</b> Brass <b>D83:</b> 316 Stainless steel
<b>Connection</b>	Lower male or center back male, (Lower back male 4" Dial only)
<b>Case</b>	304 stainless steel, stem-mounted flangeless
<b>Ring</b>	Crimped 304 stainless steel
<b>Window</b>	Acrylic
<b>Pointer</b>	Plain, black finished
<b>Dial Face</b>	Aluminum, white background with black graduations and markings
<b>Accuracy</b>	±1.6% Full Scale (1% available as an option)
<b>Maximum Temperature</b>	<b>150°F (65°C)</b>

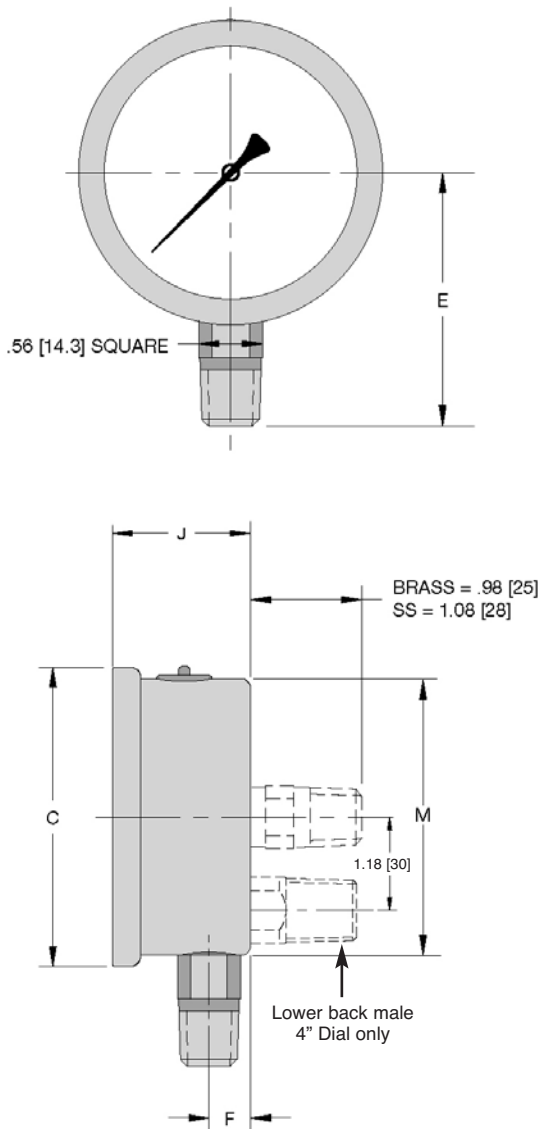
## Approximate Shipping Weight

- 1 1/2" Dial Size: 0.4 lbs [0.18 kg]
- 2" Dial Size: 0.4 lbs [0.18 kg]
- 2 1/2" Dial Size: 0.5 lbs [0.23 kg]
- 4" Dial Size: 1.0 lbs [0.45 kg]

# D80 Series

## Dry or Liquid Filled • Stainless Steel Case

All dimensions are nominal. Dimensions in [ ] are in millimeters.



### Standard Ranges

Note: "NEW" Range Codes

psi Ranges (A)			D82		D83	
NEW Range Code	OLD Range Code	Specific Range	Figure Intervals	Minor Divisions	Figure Intervals	Minor Divisions
30/0	010	30" Hg to 0	5	0.5	5	0.5
30/15	020	30" Hg to 15 psi	10/5	1/0.5	10/5	1/0.5
30/30	030	30" Hg to 30 psi	10/5	1/1	10/5	1/1
30/60	040	30" Hg to 60 psi	10/10	2/1	10/10	2/1
30/100	050	30" Hg to 100 psi	30/20	2/2	30/20	2/2
30/150	060	30" Hg to 150 psi	30/30	5/2	30/30	5/2
30/300	070	30" Hg to 300 psi	30/50	5/5	30/50	5/5
15	080	0 to 15 psi	3	0.2	3	0.2
30	090	0 to 30 psi	5	0.5	5	0.5
60	100	0 to 60 psi	10	1	10	1
100	110	0 to 100 psi	10	1	10	1
160	120	0 to 160 psi	20	2	20	2
200	130	0 to 200 psi	20	2	20	2
300	140	0 to 300 psi	50	5	50	5
400	150	0 to 400 psi	50	5	50	5
600	160	0 to 600 psi	100	10	100	10
1000	180	0 to 1000 psi	100	20	100	20
1500	190	0 to 1500 psi	300	20	300	20
2000	200	0 to 2000 psi	200	20	200	20
3000	210	0 to 3000 psi	500	50	500	50
5000	220	0 to 5000 psi	1000	100	1000	100

Ranges over 5000 PSI are not available on D82LFB.

10000	230	0 to 10000 psi	N/A	N/A	2000	200
15000	240	0 to 15000 psi	N/A	N/A	3000	200

For dual scale ranges specify the appropriate **Units of Measure: D (psi/kPa)** followed by the corresponding **A (psi) Range Code**

Dial Size	C	E	F	J	M
1 1/2" D82	1.85 [47]	1.50 [38]	0.32 [8]	1.06 [27]	1.61 [41]
1 1/2" D83	1.85 [47]	1.50 [38]	0.32 [8]	1.06 [27]	1.61 [41]
2" D82	2.28 [58]	1.89 [48]	0.39 [10]	1.14 [29]	2.05 [52]
2" D83	2.28 [58]	2.05 [52]	0.35 [9]	1.18 [30]	2.05 [52]
2 1/2" D82	2.68 [68]	2.24 [57]	0.39 [10]	1.18 [30]	2.44 [62]
2 1/2" D83	2.68 [68]	2.32 [59]	0.51 [13]	1.38 [35]	2.44 [62]
4" D82	4.29 [109]	3.07 [78]	0.47 [12]	1.42 [36]	3.90 [99]
4" D83	4.29 [109]	3.94 [100]	0.75 [19]	1.93 [49]	3.94 [100]

UTILITY GAUGES