

700Plus Series

Industrial Transmitter Gauge

SPECIALTY GAUGES



703SS shown

- ▶ 4" Dial Size
- ▶ ±1.0% Accuracy
- ▶ Stainless Steel Case
- ▶ Liquid Fillable

The Trerice **700Plus Series** Transmitter Gauge is designed to provide both local and remote pressure readings through the integration of an independent pressure transmitter to the pressure gauge. This gauge has a stainless steel case and ring, and is field liquid fillable (no kit required). Wetted parts include a stainless steel tube and socket with a ceramic transmitter.

- **Optional features and case style variations available: Please consult the Options & Accessories Section for details.**
- **For correct use and application of all pressure gauges, please refer to: Pressure Gauge Standard ASME B40.100.**

Note: "NEW" Range Codes

HOW TO ORDER

Sample Order Number: **703SS 40 02 L 3 A 300**

Model	Dial Size	Connection Size	Connection Location	Output Signal	Units of Measure	Range Code
703SS 703LFSS	40 4"	02 1/4 NPT 04 1/2 NPT	L Lower	3 4 to 20 mA	A psi D psi/kPa	See Standard Ranges

Note: "NEW" Range Codes

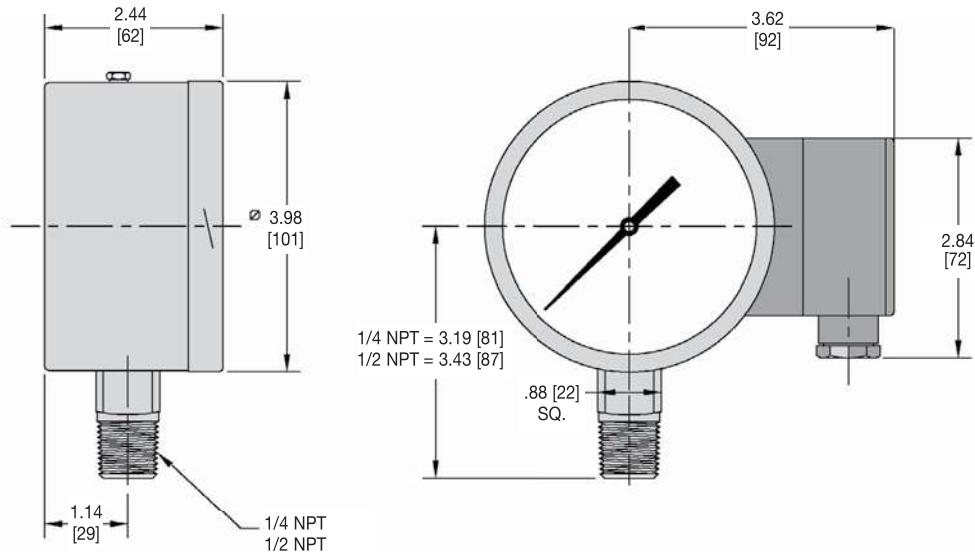
Specifications

Models	703SS (dry) 703LFSS (liquid filled)
Dial Size	4"
Wetted Parts	Transmitter: stainless steel Gauge: 316L stainless steel tube & socket
Fill	Mineral Oil
Movement	Stainless Steel
Process Connection	Lower male, 1/4 or 1/2 NPT
Case	304 Stainless steel, stem mounted flangeless
Ring	Bayonet type, 304 stainless steel
Window	Clear glass
Pointer	Micro adjustable knife edge, black finished
Dial Face	Aluminum, white background with black graduations and markings
Electrical Connection	Wiring cable
Supply Voltage	12 to 36 VDC
Output Signal	4 to 20 mA (load resistance maximum W) = V supply - 12 0.02
Accuracy	Transmitter: ±0.5% Full Scale Max. Gauge: ±1.0% Full Scale, ASME B40.100 Grade 1A
Maximum Temperature	212°F (100°C)
Approximate Shipping Weight	1.52 lbs [0.69 kg]

700Plus Series

Industrial Transmitter Gauge

All dimensions are nominal. Dimensions in [] are in millimeters.



Standard Ranges

Note: "NEW" Range Codes

psi Ranges (A)				
NEW Range Code	OLD Range Code	Specific Range	Figure Intervals	Minor Divisions
30/0	010	30" Hg to 0	5	0.5
30/15	020	30" Hg to 15 psi	10/5	0.5/0.5
30/30	030	30" Hg to 30 psi	10/5	1/1
30/60	040	30" Hg to 60 psi	10/10	2/1
30/100	050	30" Hg to 100 psi	30/20	2/2
30/150	060	30" Hg to 150 psi	30/20	5/2
30/300	070	30" Hg to 300 psi	30/50	5/5
15	080	0 to 15 psi	3	0.2

psi Ranges (A)				
NEW Range Code	OLD Range Code	Specific Range	Figure Intervals	Minor Divisions
30	090	0 to 30 psi	5	0.5
60	100	0 to 60 psi	10	1
100	110	0 to 100 psi	10	2
160	120	0 to 160 psi	20	2
200	130	0 to 200 psi	20	2
300	140	0 to 300 psi	50	5
400	150	0 to 400 psi	50	5
600	160	0 to 600 psi	100	10

For dual scale ranges, specify the appropriate **Units of Measure: D** (psi/kPa) followed by the corresponding **A** (psi) **Range Code**. Other pressure ranges are also available including: Altitude, Ammonia, Refrigerant and Receiver. Consult Special Application Ranges section or factory for availability.