

# Valve Body Selection

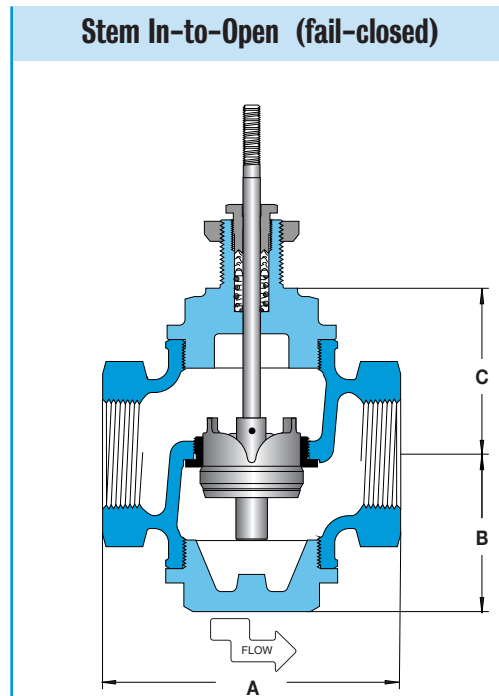
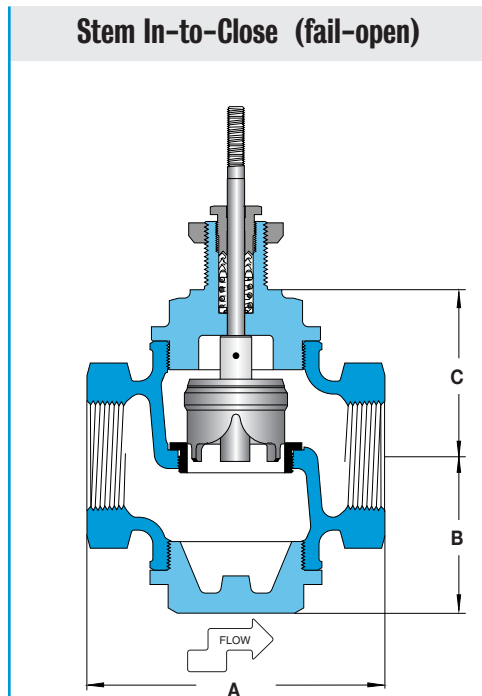
(for 940 Series Heavy Duty Control Valve)

# BRONZE

## Single Seat • 1/2" – 2"

All dimensions are nominal. Dimensions in [ ] are in millimeters.

CONTROL VALVES



### Specifications

| Body Material | Trim Material   | Trim Style       | Close-off | Connection | Pressure & Temperature Rating |
|---------------|-----------------|------------------|-----------|------------|-------------------------------|
| Bronze        | Stainless steel | Equal percentage | Class IV  | Threaded   | 335 PSI @ 300°F (149°C)       |

### Valve Body Selection

| In-To-Close (fail-open) |                  |              |                | Maximum Close-Off Pressure (psid) |                   | Dimensions |          |          | Approximate Shipping Wt. |
|-------------------------|------------------|--------------|----------------|-----------------------------------|-------------------|------------|----------|----------|--------------------------|
| Valve Body Number       | Size             |              | C <sub>v</sub> | Actuator                          |                   | A          | B        | C        |                          |
|                         | Connection (NPT) | Nominal Port |                | 940B                              | 940B w/Positioner |            |          |          |                          |
| J14                     | 1/2              | 1/2"         | 4.9            | 335                               | 335               | 4.9 [124]  | 2.6 [66] | 2.8 [71] | 9 lbs [4.1 kg]           |
| J19                     | 3/4              | 3/4"         | 7.2            | 154                               | 335               | 4.9 [124]  | 2.6 [66] | 2.8 [71] | 9 lbs [4.1 kg]           |
| J26                     | 1                | 1"           | 10.0           | 78                                | 335               | 4.9 [124]  | 2.6 [66] | 2.8 [71] | 9 lbs [4.1 kg]           |
| J36                     | 1 1/4            | 1 1/4"       | 22.2           | 35                                | 335               | 5.8 [147]  | 3.1 [79] | 3.4 [87] | 15 lbs [6.8 kg]          |
| J47                     | 1 1/2            | 1 1/2"       | 24             | 19                                | 335               | 5.8 [147]  | 3.1 [79] | 3.4 [87] | 15 lbs [6.8 kg]          |
| J58                     | 2                | 2"           | 40             | 4                                 | 312               | 6.5 [165]  | 3.4 [86] | 3.8 [97] | 19 lbs [8.6 kg]          |

| In-To-Open (fail-closed) |                  |              |                | Maximum Close-Off Pressure (psid) |                   | Dimensions |          |          | Approximate Shipping Wt. |
|--------------------------|------------------|--------------|----------------|-----------------------------------|-------------------|------------|----------|----------|--------------------------|
| Valve Body Number        | Size             |              | C <sub>v</sub> | Actuator                          |                   | A          | B        | C        |                          |
|                          | Connection (NPT) | Nominal Port |                | 940B*                             | 940B w/Positioner |            |          |          |                          |
| J15                      | 1/2              | 1/2"         | 4.9            | 335                               | 335               | 4.9 [124]  | 2.6 [66] | 2.8 [71] | 9 lbs [4.1 kg]           |
| J22                      | 3/4              | 3/4"         | 7.2            | 335                               | 335               | 4.9 [124]  | 2.6 [66] | 2.8 [71] | 9 lbs [4.1 kg]           |
| J30                      | 1                | 1"           | 10.0           | 335                               | 335               | 4.9 [124]  | 2.6 [66] | 2.8 [71] | 9 lbs [4.1 kg]           |
| J41                      | 1 1/4            | 1 1/4"       | 22.2           | 335                               | 335               | 5.8 [147]  | 3.1 [79] | 3.4 [87] | 15 lbs [6.8 kg]          |
| J52                      | 1 1/2            | 1 1/2"       | 24             | 248                               | 286               | 5.8 [147]  | 3.1 [79] | 3.4 [87] | 15 lbs [6.8 kg]          |
| J63                      | 2                | 2"           | 40             | 146                               | 170               | 6.5 [165]  | 3.4 [86] | 3.8 [97] | 19 lbs [8.6 kg]          |

\*Requires a 9-15 psi input signal.