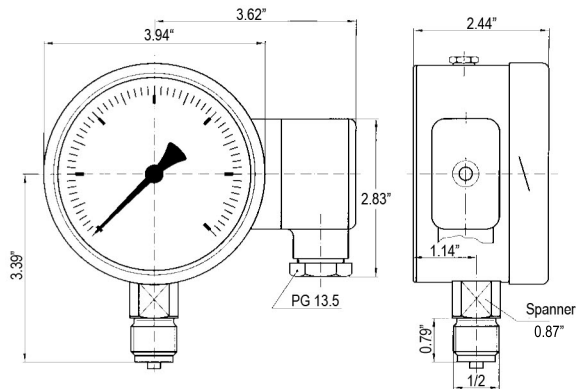


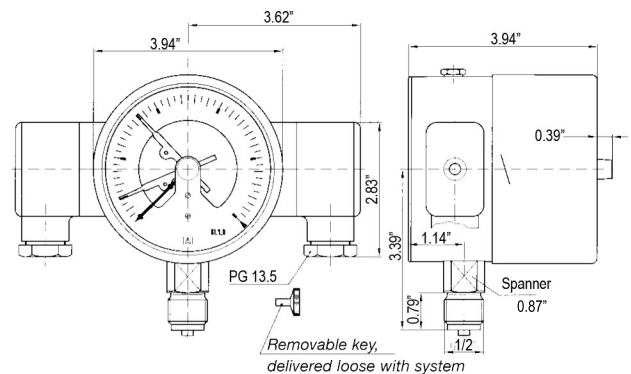
# 700 Plus Series Industrial Transmitter Gauge

## Types and dimensions

Bottom connection



Bottom connection, with electrical contact

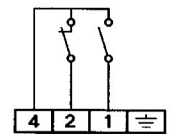


Pin assignment table for pressure measuring cell (right hand junction box)

Supply +	1
Supply -	2
Earth	Earth pin

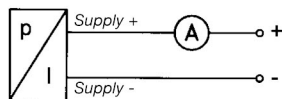
Pin assignment table for electrical contact (left hand junction box)  
Example: Magnetic spring contact MK2.12

Normally open contact	1
Normally closed contact	2
Common (+ve)	4



Wiring diagram

2-wire



### Supply Voltage

12 to 28 Vdc @ 6mA  
(15 to 28 Vdc with 0 to 10 Vdc Output Signal)

### Output Signal

4 to 20 mA  
(load resistance maximum  $\Omega$ ) =  
 $\frac{V_{\text{supply}} - 12}{0.02}$



12950 W. Eight Mile Rd.  
Oak Park, MI. 48237

Phone: 248-399-8000 Fax: 248-399-7246  
www.tretrice.com