

Model 261TSG

Submersible Level Transmitter with Sensor-Guard

Applications

- Lift Stations
- Storage Tanks
- Waste Water Systems
- Process Sludge
- Rivers and Lakes
- Wet Wells



Model 261TSG

Features

- Ranges from 0-40 in. H₂O thru 0 to 300 psi
- Diaphragm has large 5.9 in² Sensing Area for increased sensitivity
- 4-20mA and 0-10Vdc Standard Industrial Output Signals
- Zero Point adjustment can be made using permanent magnet
- 4:1 Turndown with optional programming tool
- Barrier plate helps protect diaphragm providing years of clog-free operation
- PUR-cable has integral capillary tube for relative pressure balancing (includes GORE-TEX® filter)
- 316L Stainless steel wetted parts

The **TRERICE 261TSG** "Submersible Transmitter with Sensor Guard" provides accurate measurement of sludge levels, pump lift stations and other viscous applications where clogging of the sensor is a common problem. The flush diaphragm has 5.9 in² of surface area providing increased sensitivity, while the 316L barrier plate and cage assembly help eliminate the buildup of debris, grease and bio-solids.

By use of the optional programming tool this transmitter provides 4 to 1 turn down and adjustable zero-point & span, allowing for multiple units of measure. The stainless membrane is completely vacuum-sealed, extremely burst resistant and is applicable for use with a variety of process mediums. Stainless steel wetted parts provide long-term durability even in the harshest environments.

HOW TO ORDER

Model	Accuracy	Units of Measure	Range Code	Electrical Connection	Cable Length	Output Signal
261TSG	C 0.5% FS (0.35% BFSL)	U in H ₂ O A psi	See Standard Ranges	E4 PUR Cable	Specify Length in Feet (ie., 600 ft. max)	3 4-20mA (2-wire)
				E5 PUR Cable-Heavy Duty		2 0-10 Vdc (3-wire)
				E6 FEP Cable		

Multiple electrical connections, output signals and process connections are available. Please consult factory.

Specifications

Model	261TSG • Submersible Level Transmitter		
Sensor Element	Capsule Type - Thin film resistors on a Silicon Membrane, Oil-Filled, Stainless Steel Diaphragm		
Process Connection	Direct Submersion with Sensor-Guard		
Materials of Construction	Wetted Parts: 316L stainless steel, Polyurethane (PUR) Cable		
Pressure Transmission Liquid	Silicone Oil		
Accuracy at 77° F (25°C)	BFSL	Full Scale	
Non-Linearity:	0.35%	0.50%	
Hysteresis:	0.15%	0.30%	
Repeatability:	0.10%	0.10%	
Operating Temperature Ranges	Medium: +14/+158°F (-10/+70°C) Ambient: +14/+158°F (-10/+70°C)		
Temperature Error Band	Temperature compensated to within 1% between 14°F to 158°F (-10 to +70°C)		
Humidity	Fully Submersible		
Electronic Connection	PUR (Polyurethane) Cable, PUR Cable-Heavy Duty FEP (Fluorinated-Ethylene-Propylene) Cable		
Output Signal	4-20mA (2 wire) and 0-10Vdc (3 wire)		
Overpressure Limit	Ranges ≤ 3 psi at least: 2.5 x FS burst pressure at least: 6 x FS 5-300 psi at least: 1.5 x FS burst pressure at least: 2.9 x FS		
Response Time (10-90%)	< 4 ms		
Power Supply	Output Signal:	Minimum	Maximum Recommended
	4-20mA:	10Vdc	32Vdc 24Vdc
	0-10Vdc:	12Vdc	32Vdc 24Vdc
Load Resistance	4-20mA:	≤ $\frac{V_{SUPPLY} - 10 \text{ Vdc}}{0.02 \text{ A}}$	
	0-10 Vdc:	> 5 kOhm	
Circuit Protection	Protected against reverse polarity and short circuits		
CE Conformity	RoHS2 Directive 2011/65/EU EMC Directive: 2014/30/EU - PED Directive: 2014/68/EU Applied standards: EN 61326-1:2013, EN 61326-2-3:2013		
Ingress Protection Rating	IP68 / NEMA 6P		
Approximate Shipping Weight	4.0lbs (1.80kg) Cable only: .02 lbs (0.009kg) per foot		

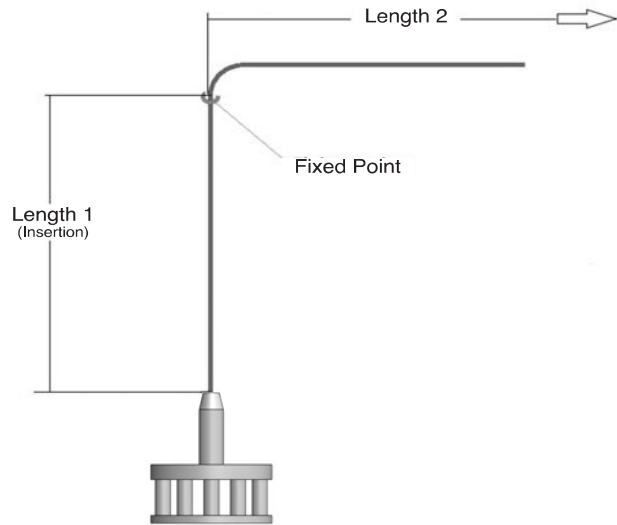
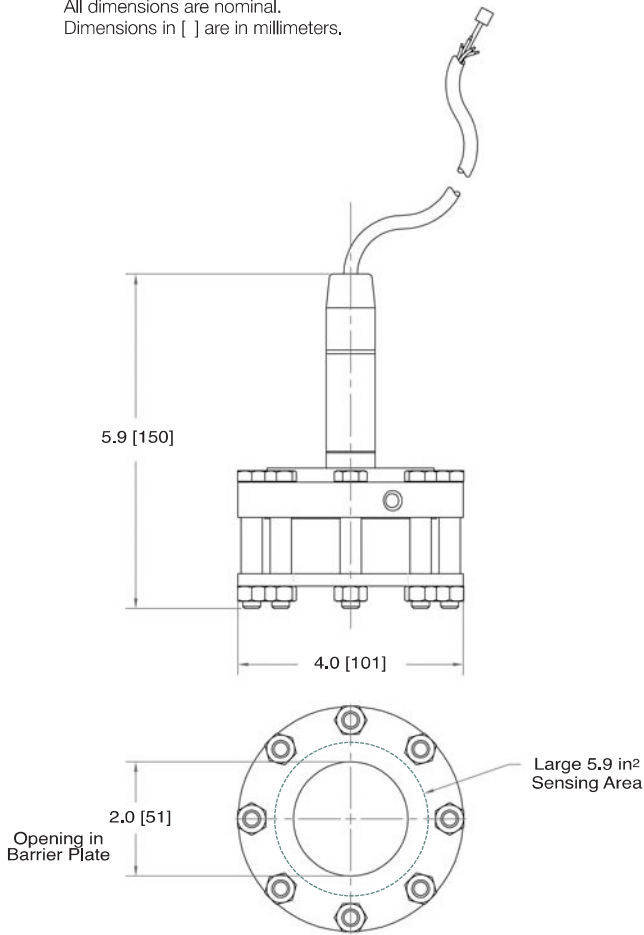
Sample Order Number: **261TSG C U 0/300 E4 100 3**

Model 261TSG

Submersible Level Transmitter with Sensor-Guard

INDUSTRIAL TRANSMITTERS

All dimensions are nominal.
Dimensions in [] are in millimeters.



Maximum Cable Lengths

Code	Cable Material	Max. Cable (length 1)	Max. Cable (length 2)
E4	PUR (Polyurethane)	65 feet (20 m)	535 feet (165 m)
E5	PUR (Polyurethane) Heavy Duty	130 feet (40 m)	470 feet (145 m)
E6	FEP (Fluorinated-Ethylene-Propylene)	100 feet (30 m)	500 feet (150 m)

Standard Ranges

in. H ₂ O Ranges (U)			
Range Code	Specific Range	Overpressure Limit	Burst Pressure
0/40	0 to 40 in. H ₂ O	100 in. H ₂ O	240 in. H ₂ O
0/60	0 to 60 in. H ₂ O	150 in. H ₂ O	360 in. H ₂ O
0/100	0 to 100 in. H ₂ O	250 in. H ₂ O	600 in. H ₂ O
0/160	0 to 160 in. H ₂ O	400 in. H ₂ O	960 in. H ₂ O
0/200	0 to 200 in. H ₂ O	500 in. H ₂ O	1200 in. H ₂ O
0/300	0 to 300 in. H ₂ O	750 in. H ₂ O	1800 in. H ₂ O

psi Ranges (A)			
Range Code	Specific Range	Overpressure Limit	Burst Pressure
0/3	0 to 3 psi	8 psi	18 psi
0/5	0 to 5 psi	7 psi	14 psi
0/10	0 to 10 psi	15 psi	29 psi
0/15	0 to 15 psi	22 psi	43 psi
0/30	0 to 30 psi	45 psi	87 psi
0/60	0 to 60 psi	90 psi	174 psi
0/100	0 to 100 psi	150 psi	290 psi
0/160	0 to 160 psi	240 psi	464 psi
0/200	0 to 200 psi	300 psi	580 psi
0/300	0 to 300 psi	450 psi	870 psi

Actual working pressures should never exceed the "Specific Range" or the maximum process connection rating. "Overpressure Limits" and "Burst Pressures" shown refer to the sensor or body of the transmitter and are for reference purposes only. For correct use and application See: ASTM F2070-00.