

# Hydro-Therm

INDUSTRIAL THERMOMETERS



HT30 shown



HT31 shown

- ▶ 5 1/2" Scale Size
- ▶ ± 2% Accuracy
- ▶ Valox Case
- ▶ 1/2 NPT Brass Thermowell included

The **NEW Trerice Hydro-Therm** is the ideal instrument for both hot and chilled water hydronic applications. The blue, organic "spirit" fill is easily read without the environmental concerns of mercury. The sturdy Valox case is available in rigid straight or rigid 90° angle configurations. The 2" stem makes this the perfect instrument for smaller pipeline and other such applications. The 1/2 NPT brass thermowell is included.

## Specifications

Models	Scale Size
HT30	5 1/2" Rigid Straight
HT31	5 1/2" Rigid 90° Angle
<b>Fill Type</b>	Spirit: Blue colored, organic
<b>Case</b>	Valox
<b>Stem</b>	Brass
<b>Connection</b>	1/2 NPT brass thermowell (included)
<b>Window</b>	Acrylic
<b>Tube</b>	Lens front, magnifying type
<b>Scale</b>	Aluminum, white background with black graduations and markings
<b>Top Plate</b>	ABS
<b>Accuracy</b>	±2%

### Approximate Shipping Weight

0.5 lbs [0.23 kg]

## HOW TO ORDER

Sample Order Number: **HT30 47**

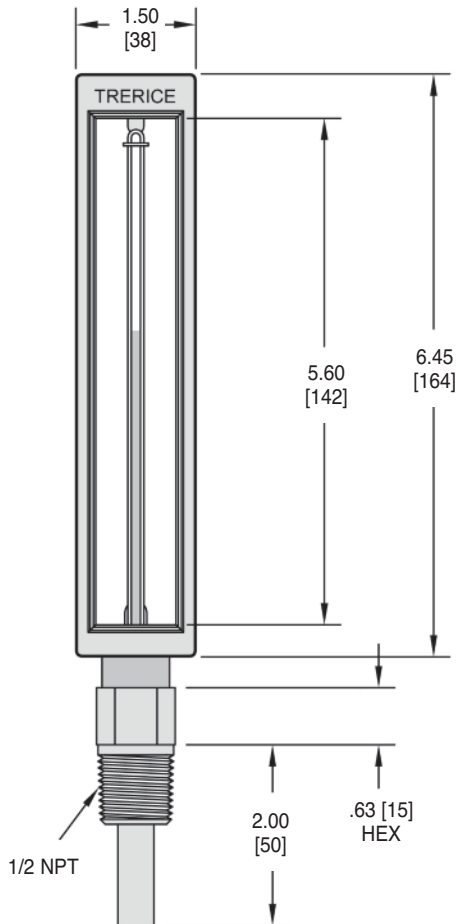
Model	Specific Range
HT30 Straight	41 -40° to 110° F/C
HT31 90° Angle	47 30° to 240° F/C

# Hydro-Therm

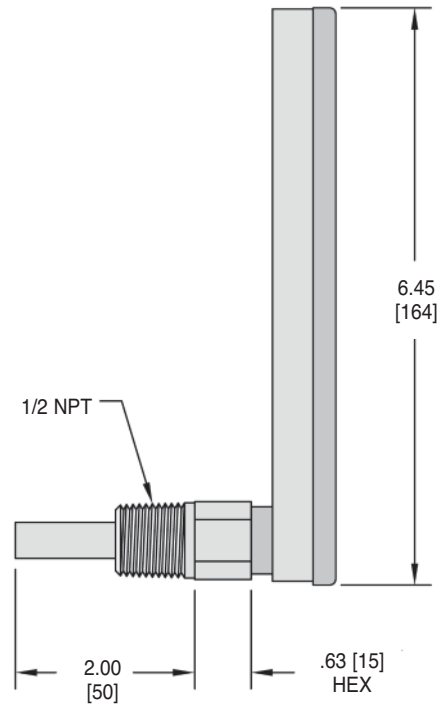
All dimensions are nominal.  
Dimensions in [ ] are in millimeters.

INDUSTRIAL THERMOMETERS

**HT30**



**HT31**



Note: Shown with included thermowell.

## Standard Ranges

Dual Scale		Fahrenheit		Celsius	
Range Code	Range	Figure Intervals	Minor Divisions	Figure Intervals	Minor Divisions
41	-40° to 110°F & -40° to 40°C	20°	2°	10°	1°
47	30° to 240°F & 0° to 120°C	20°	2°	20°	2°