

Direct Mounted Dial Thermometer

4 1/2" & 6" Cast Aluminum Case • Universal Angle

DIAL THERMOMETERS



V80742 shown

- ▶ 4 1/2", 6" Dial Sizes
- ▶ ± 1 Scale Division Accuracy
- ▶ Cast Aluminum Case
- ▶ Vapor or Liquid Actuated

The Trerice **Universal Angle Dial Thermometer** is available in 4 1/2" and 6" dial sizes with a rugged cast aluminum case. After the sensing bulb has been installed, the case may be adjusted 180° front to back, and rotated 360° for maximum readability. This instrument is available with vapor or liquid actuation.


- Optional features available: Please consult the Optional Features Section for details.

Thermowell

- For applications where the process media may be corrosive or contained under pressure, the use of a thermowell is required to prevent damage to the thermometer and facilitate its removal from the process.

(Refer to page 162)

Specifications

Models	Dial Sizes	Case Style
80742	4 1/2"	 Universal Angle
80762	6"	

Movement Brass

Case Material

Cast Aluminum, black finish

Window

Clear glass

Ring

Friction type, stainless steel

Pointer

Adjustable, black finish

Dialface

Aluminum, white background with black graduations and markings

Accuracy

±1 scale division

Approximate Shipping Weight

80742: 2.0 lbs [0.91 kg]

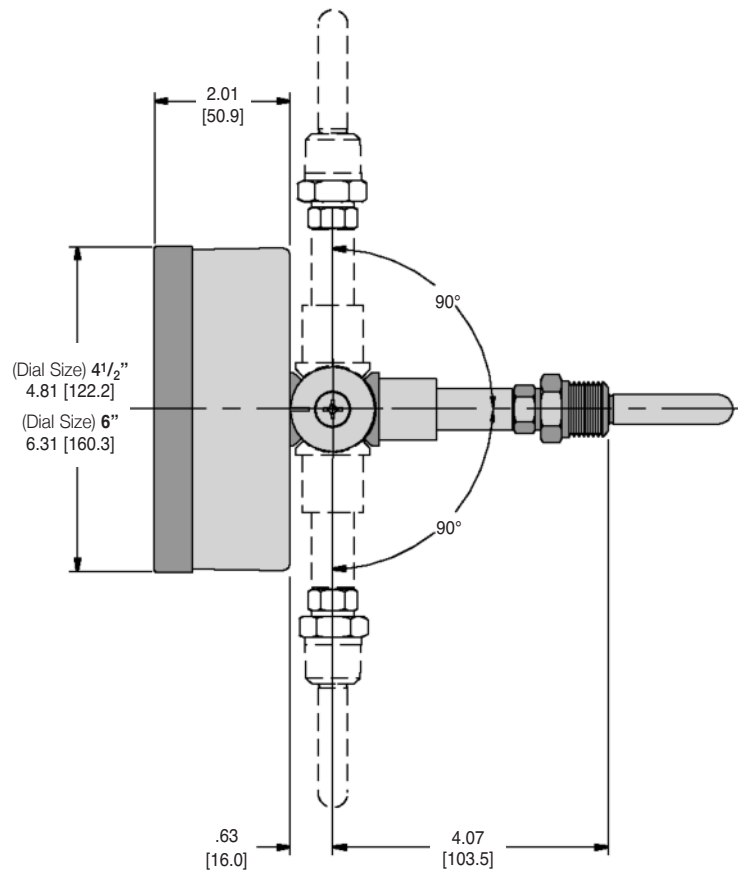
80762: 2.4 lbs [1.09 kg]

HOW TO ORDER

Sample Order Number: **L 80742 110 B35**

Actuation	Model	Range Code	Thermal System
V Vapor	80742	See Standard Ranges	See Thermal System Selection (pages 120-121)
L Liquid	80762		

All dimensions are nominal. Dimensions in [] are in millimeters.



Standard Ranges (Dual Scale includes both Fahrenheit & Celsius)

Vapor Actuated				
Fahrenheit Scale Range Code	Fahrenheit Scale Range	Celsius Scale Range Code	Celsius Scale Range	Dual Scale Range Code
030	-40° to 150°F	430	-40° to 65°C	230
040	-20° to 100°F	440	-30° to 40°C	240
050	0° to 100°F	450	-20° to 40°C	250
065	0° to 160°F	465	-20° to 70°C	265
100	30° to 180°F	500	0° to 85°C	300
110	30° to 240°F	510	0° to 115°C	310
120	30° to 300°F	520	0° to 150°C	320
145	100° to 350°F	545	40° to 180°C	345
160	200° to 450°F	560	90° to 230°C	360

Liquid Actuated				
Fahrenheit Scale Range Code	Fahrenheit Scale Range	Celsius Scale Range Code	Celsius Scale Range	Dual Scale Range Code
020	-40° to 120°F	420	-40° to 50°C	220
050	0° to 100°F	450	-20° to 40°C	250
060	0° to 160°F	460	-20° to 70°C	260
100	30° to 180°F	495	0° to 80°C	300
110	30° to 240°F	510	0° to 115°C	310
130	50° to 300°F	530	10° to 150°C	330