

Valve Body Selection

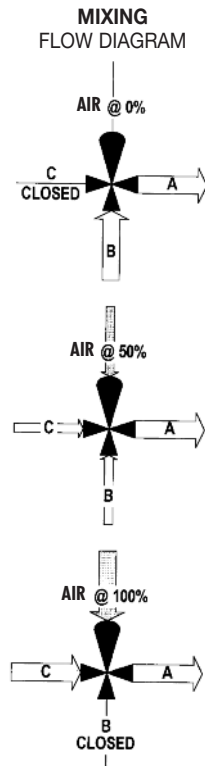
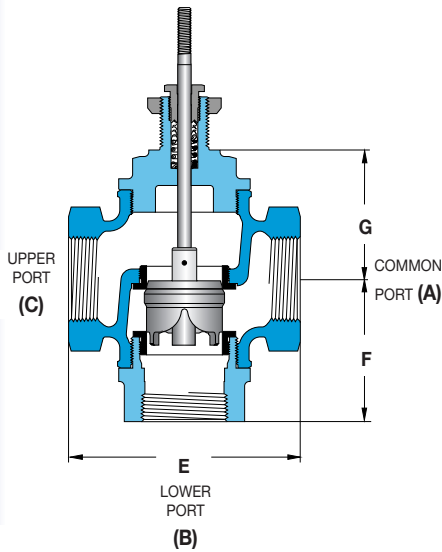
(for 940 Series Heavy Duty Control Valve)

BRONZE

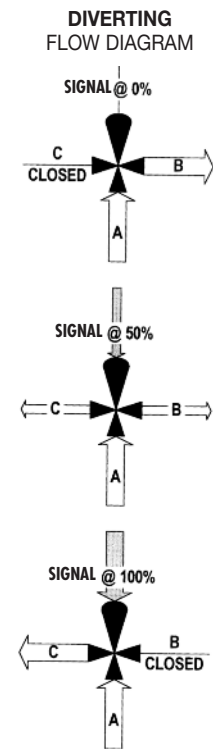
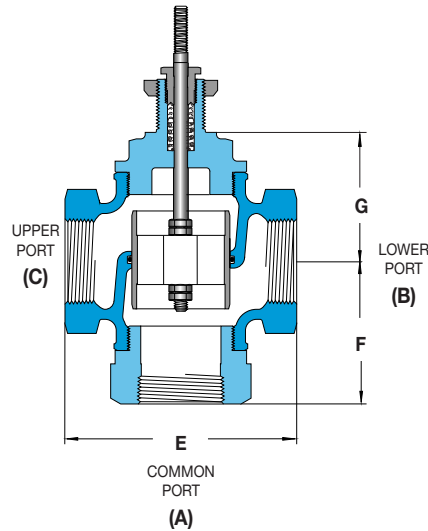
3-WAY • 1/2" – 2"

All dimensions are nominal. Dimensions in [] are in millimeters.

Mixing



Diverting



Trerice 3-Way Valves are not designed for use in steam applications. To properly control the mixing of two flows, inlet pressures at ports B and C should be as equal as possible.

Specifications

Action	Body Material	Trim Material	Trim Style	Close-off	Connection	Pressure & Temperature Rating
Mixing	Bronze	Stainless steel	Linear	Class IV	Threaded	335 PSI @ 300°F (149°C)
Diverting	Bronze	Bronze	Linear	Class II	Threaded	335 PSI @ 300°F (149°C)

Valve Selection

Mixing				Maximum Close-Off Pressure (psid)		Dimensions			Approximate Shipping Wt.
Valve Body Number	Size		C _v	Actuator		E	F	G	
	Connection (NPT)	Nominal Port		940B	940B w/Positioner				
N18	1/2	1/2"	6.3	201	335	4.9 [124]	2.7 [69]	2.8 [71]	9 lbs [4.1 kg]
N25	3/4	3/4"	8.2	81	335	4.9 [124]	2.7 [69]	2.8 [71]	9 lbs [4.1 kg]
N34	1	1"	10	33	335	4.9 [124]	2.7 [69]	2.8 [71]	9 lbs [4.0 kg]
N56	1 1/2	1 1/2"	20	x	286	5.8 [147]	3.8 [97]	3.4 [86]	16 lbs [7.3 kg]
N67	2	2"	40	x	170	6.5 [165]	4.0 [102]	3.8 [97]	20.0 lbs [9.1 kg]

Diverting				Maximum Close-Off Pressure (psid)		Dimensions			Approximate Shipping Wt.
Valve Body Number	Size		C _v	Actuator		E	F	G	
	Connection (NPT)	Nominal Port		940B	940B w/Positioner				
J34	1	1"	12	125	118	4.9 [124]	2.7 [69]	2.8 [72]	9 lbs [4.1 kg]
J56	1 1/2	1 1/2"	22	125	115	5.8 [147]	3.8 [97]	3.5 [89]	17 lbs [7.3 kg]
J67	2	2"	40	125	113	6.5 [165]	4.0 [102]	3.8 [97]	21 lbs [9.5 kg]

CONTROL VALVES