

Valve Body Selection

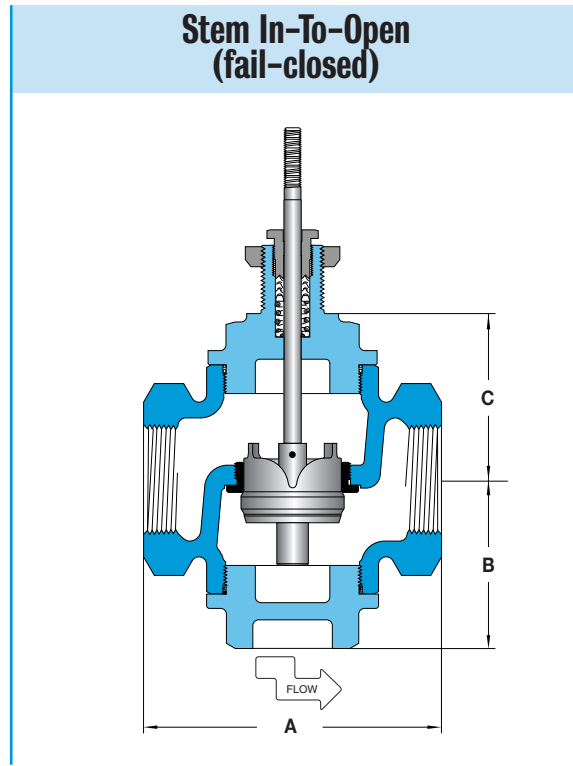
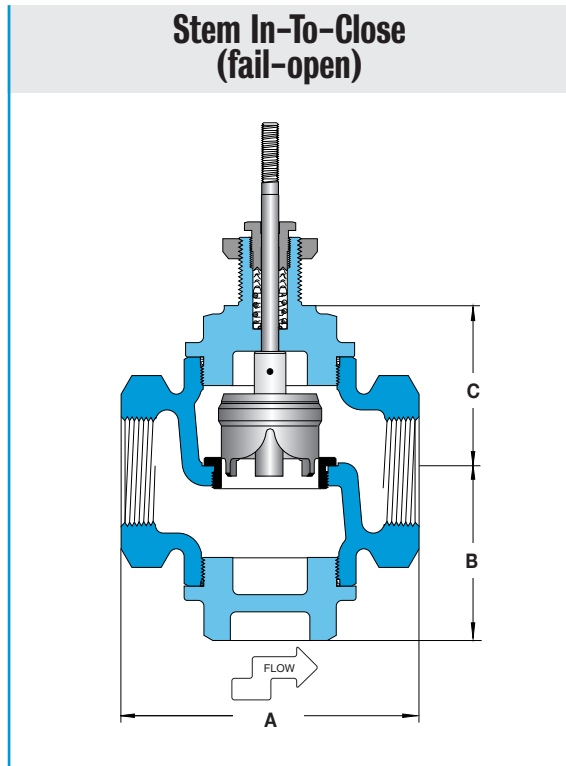
(for 910A, 910B & 910C Control Valves)

STAINLESS STEEL

Single Seat • 1/2" – 2"

All dimensions are nominal. Dimensions in [] are in millimeters

CONTROL VALVES



Specifications

Body Material	Trim Material	Trim Style	Connection	Pressure & Temperature Rating
Stainless steel	Stainless steel	Modified linear	Threaded	250 PSI @ 410°F (210°C)

Valve Body Selection

In-To-Close (fail-open)				Maximum Close-Off Pressure (psid)			Dimensions			Approximate Shipping Wt.
Valve Body Number	Size Connection (NPT)	Size Nominal Port	C _v	910A	910B	910C	A	B	C	
D14	1/2	1/2"	6	250	x	x	5.0 [127]	2.9 [74]	3.4 [86]	8.0 lbs [3.64 kg]
D19	3/4	3/4"	8.6	220	250	x	5.0 [127]	2.9 [74]	3.4 [86]	8.0 lbs [3.64 kg]
D26	1	1"	14	140	250	x	5.0 [127]	2.9 [74]	3.4 [86]	8.0 lbs [3.64 kg]
D47	1 1/2	1 1/2"	27	40	120	250	6.1 [155]	3.5 [89]	4.0 [102]	15.5 lbs [7.05 kg]
D58	2	2"	33	25	45	225	6.5 [165]	3.9 [99]	4.2 [107]	19.0 lbs [8.64 kg]

In-To-Open (fail-closed)				Maximum Close-Off Pressure (psid)			Dimensions			Approximate Shipping Wt.
Valve Body Number	Size Connection (NPT)	Size Nominal Port	C _v	910A	910B	910C	A	B	C	
D15	1/2	1/2"	6	250	x	x	5.0 [127]	2.9 [74]	3.4 [86]	8.0 lbs [3.64 kg]
D22	3/4	3/4"	8.6	250	x	x	5.0 [127]	2.9 [74]	3.4 [86]	8.0 lbs [3.64 kg]
D30	1	1"	14	155	x	x	5.0 [127]	2.9 [74]	3.4 [86]	8.0 lbs [3.64 kg]
D52	1 1/2	1 1/2"	27	80	x	x	6.1 [155]	3.5 [89]	4.0 [102]	15.5 lbs [7.05 kg]
D63	2	2"	33	40	x	x	6.5 [165]	3.9 [99]	4.2 [107]	19.0 lbs [8.64 kg]