

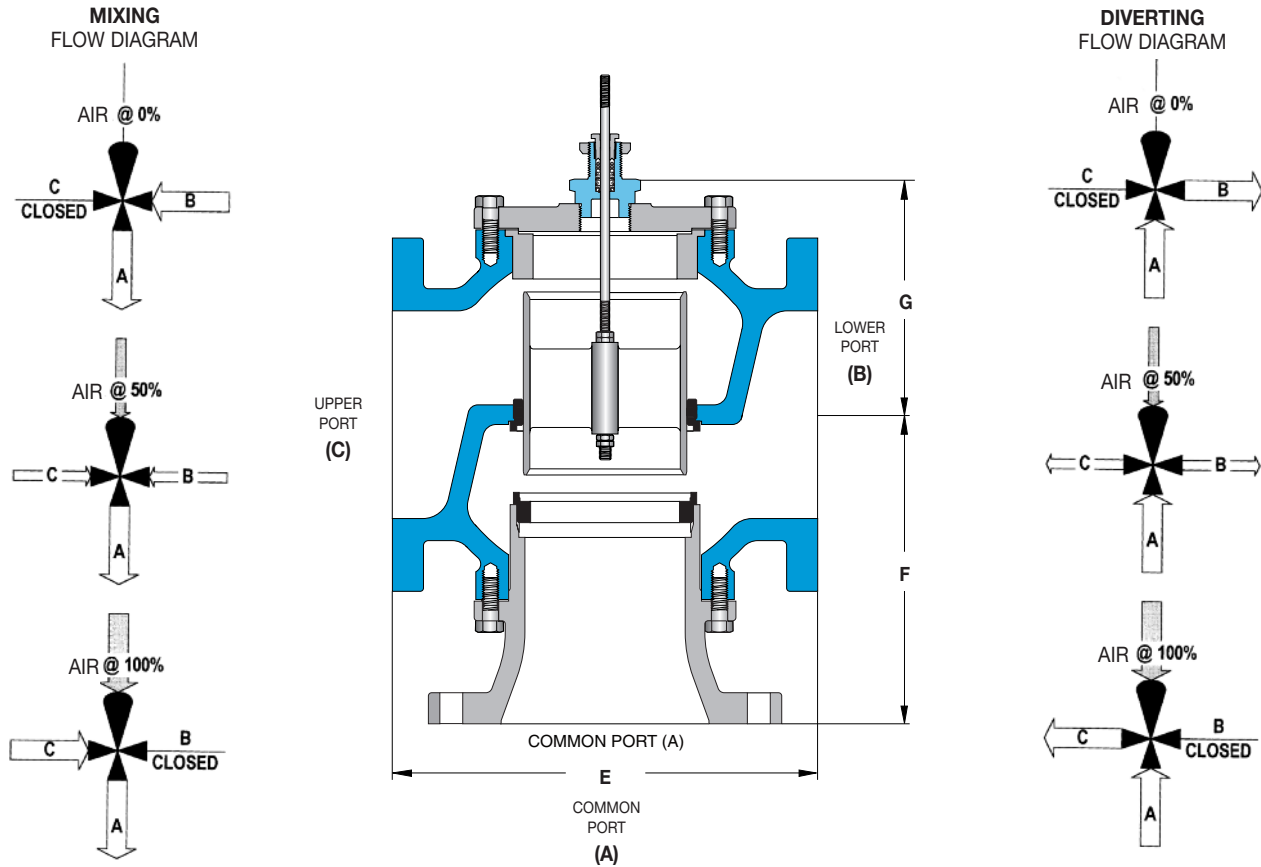
All dimensions are nominal. Dimensions in [] are in millimeters.



3-WAY • 2 1/2" - 4"

CONTROL VALVES

for Mixing or Diverting



Trerice 3-Way Valves are not designed for use in steam applications. To properly control the mixing of two flows, inlet pressures at ports B and C should be as equal as possible.

Specifications

Body Material	Trim Material	Trim Style	Connection	Pressure & Temperature Rating
Cast-Iron	Bronze	Modified linear	Class 125 flanged	125 PSI @ 300°F (149°C)

Valve Body Selection

Mixing or Diverting				Maximum Close-Off Pressure (psid)			Approximate Shipping Wt.	
Valve Body Number	Connection	Size Nominal Port	C _v	Actuator 910TB	Dimensions			
					E	F	G	
B75	2 1/2"	2 1/2"	69	125	9.0 [229]	7.1 [180]	5.2 [132]	62 lbs [28 kg]
B80	3"	3"	90	125	10.0 [254]	8.0 [203]	6.0 [152]	80 lbs [36 kg]
B85	4"	4"	196	125	13.0 [330]	10.0 [254]	6.9 [175]	140 lbs [64 kg]