

875LFB

Brass Case Gauge



875LFB shown

- ▶ Forged Brass Case & Socket
- ▶ Glycerin Fill Standard
- ▶ NEMA 4X Protection

The Trerice **875LFB** is designed for severe service applications. The one piece forged brass case and socket is able to withstand the harshest industrial processes. The standard glycerin fill helps protect against vibration and shock. Wetted parts are Lead-Free (PBF) brass.

- **Optional features and case style variations available: Please consult the Options & Accessories Section for details.**
- **For correct use and application of all pressure gauges, please refer to: Pressure Gauge Standard ASME B40.100.**

Specifications

Models	875LFB (liquid filled)
Dial Size	2 1/2", 4"
Wetted Parts	Copper alloy tube and forged brass socket
Fill	Glycerin. Other fills available. See Options & Accessories.
Movement	Brass
Connection	Lower male
Case	Forged Brass
Ring	Stainless steel crimped ring with Polycarbonate Cover
Window	Polycarbonate
Pointer	Aluminum, black finished
Dial Face	Aluminum, white background with black gradations and markings
Accuracy	2 1/2" Dial Size: ±2-1-2% Full Scale, ASME B40.100 Grade A 4" Dial Size: ±1% Full Scale, ASME B40.100 Grade 1A
Weather Protection	NEMA 4X / IP65
Maximum Temperature	140° F / 60° C
Approximate Shipping Weight	0.8 lbs [0.34 kg]

HOW TO ORDER

Sample Order Number: **875LFB 25 02 L A 130**

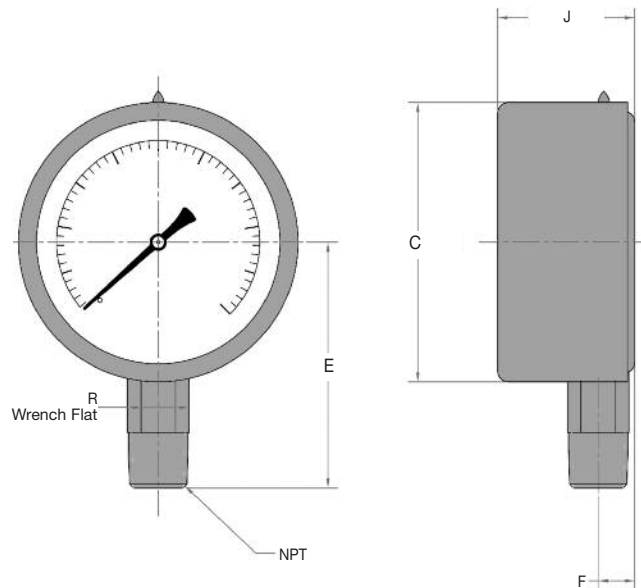
Model	Dial Size	Connection Size	Connection Location	Units of Measure	Range Code
875LFB	25 2 1/2" 40 4"	02 1/4 NPT 04 1/2 NPT*	L Lower	A psi D psi/kPa	See Standard Ranges

*1/2 NPT connection size only available with 4" dial size.

875LFB

Brass Case Gauge

All dimensions are nominal. Dimensions in [] are in millimeters.



Dial Size	C	E	F	J	R	NPT
2 1/2"	2.58 [66]	2.09 [53]	0.36 [9]	1.42 [36]	0.55 [14]	1/4
4"	3.94 [100]	3.46 [88]	0.51 [13]	1.93 [49]	0.87 [22]	1/4 or 1/2

Standard Ranges

psi Ranges (A)			
Range Code	Specific Range	Figure Intervals	Minor Divisions
010	30" Hg to 0	5	0.5
020	30" Hg to 15 psi	10/5	1/0.5
030	30" Hg to 30 psi	10/5	1/1
040	30" Hg to 60 psi	10/10	2/1
050	30" Hg to 100 psi	30/20	2/2
060	30" Hg to 150 psi	30/30	5/2
070	30" Hg to 300 psi	30/50	5/5
080	0 to 15 psi	3	0.2
090	0 to 30 psi	5	0.5
100	0 to 60 psi	10	1
110	0 to 100 psi	10	1
120	0 to 160 psi	20	2
130	0 to 200 psi	20	2
140	0 to 300 psi	50	5
150	0 to 400 psi	50	5
160	0 to 600 psi	100	10
180	0 to 1000 psi	100	20
190	0 to 1500 psi	300	20
200	0 to 2000 psi	300	20
210	0 to 3000 psi	500	50
220	0 to 5000 psi	1000	100
230	0 to 10,000 psi	1000	200

For dual scale ranges specify the appropriate **Units of Measure: D** (psi/kPa) followed by the corresponding **A** (psi) **Range Code**