

Valve Body Selection

(for 91600 Fail Safe Temperature Regulators)

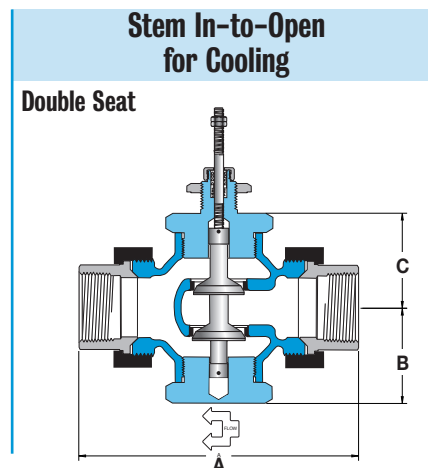
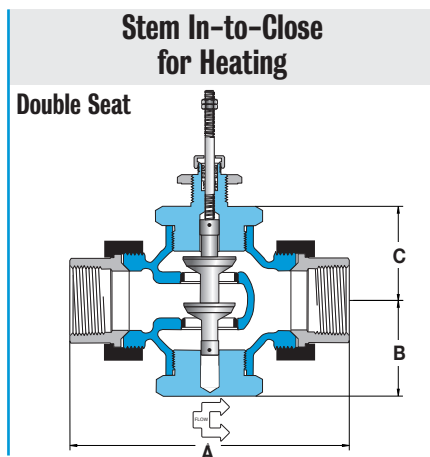
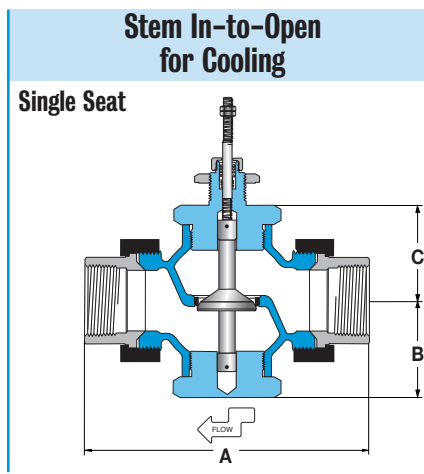
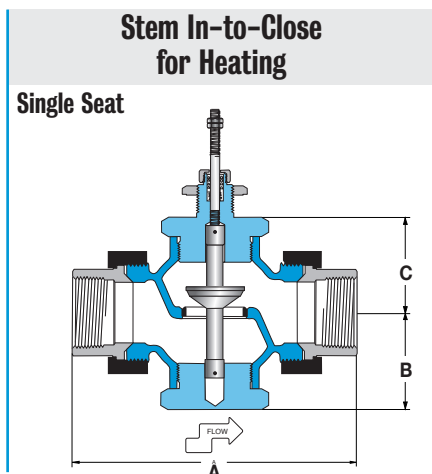
BRONZE

Double Seat • 1/2" – 2"



All dimensions are nominal. Dimensions in [] are in millimeters.

TEMPERATURE REGULATORS



Specifications

Body Material	Trim Material	Trim Style	Connection	Pressure & Temperature Rating
Bronze	Stainless steel	Modified linear	Threaded, malleable iron union ends	250 PSI @ 410°F (210°C)

Valve Body Selection

Valve Body Number		Size		No. of Seats	Effective** Cv	Max. Close-Off Pressure (psid)	Dimensions			Approximate Shipping Wt.
In-To-Close Heating	In-To-Open Cooling	Connection (NPT)	Nominal Port				A	B	C	
A02	A03	1/2 *	1/8"	1	0.12	250	4.8 [122]	1.8 [46]	1.8 [46]	3.0 lbs [1.35 kg]
A05	A06	1/2 *	3/16"	1	0.25	250	4.8 [122]	1.8 [46]	1.8 [46]	3.0 lbs [1.35 kg]
A08	A09	1/2 *	1/4"	1	0.5	250	4.8 [122]	1.8 [46]	1.8 [46]	3.0 lbs [1.35 kg]
A11	A12	1/2 *	3/8"	1	1.0	150	4.8 [122]	1.8 [46]	1.8 [46]	3.0 lbs [1.35 kg]
A14	A15	1/2 *	1/2"	1	2.0	100	4.8 [122]	1.8 [46]	1.8 [46]	3.0 lbs [1.35 kg]
A21	A24	3/4	3/4"	2	5.6	250	5.6 [142]	2.3 [58]	2.3 [58]	5.0 lbs [2.25 kg]
A29	A33	1	1"	2	8.4	200	6.0 [152]	2.3 [58]	2.3 [58]	6.1 lbs [2.75 kg]
A39	A44	1 1/4	1 1/4"	2	15	175	7.2 [183]	2.6 [66]	2.6 [66]	10.1 lbs [4.55 kg]
A50	A55	1 1/2	1 1/2"	2	21	150	7.7 [196]	2.6 [66]	2.6 [66]	11.1 lbs [5.00 kg]
A61	A66	2	2"	2	33	100	7.6 [218]	3.1 [79]	3.1 [79]	17.0 lbs [7.65 kg]