

# STAINLESS STEEL

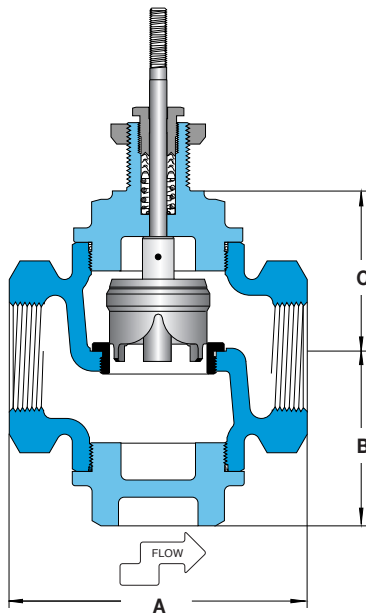
# Valve Body Selection (for 940 Series Heavy Duty Control Valve)

Single Seat • 1/2" – 2"

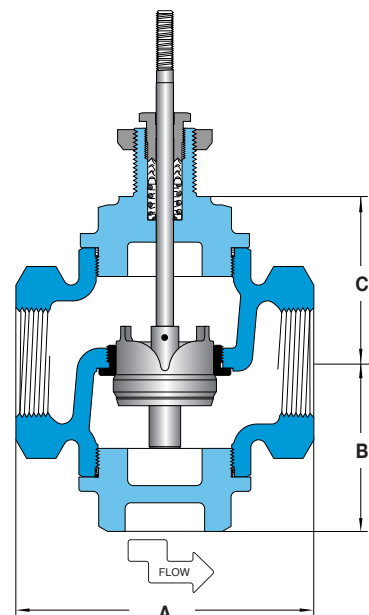
All dimensions are nominal. Dimensions in [ ] are in millimeters.



Stem In-to-Close (normally open)



Stem In-to-Open (normally closed)



CONTROL VALVES

## Specifications

Body Material	Trim Material	Trim Style	Connection	Pressure & Temperature Rating
Stainless steel	Stainless steel	Equal percentage	Threaded	515 PSI @ 400°F (204°C)

## Valve Body Selection

In-To-Close (Normally Open)				Maximum Close-Off Pressure (psid)*		Dimensions			Approximate Shipping Wt.
Valve Body Number	Size		C <sub>v</sub>	Actuator		A	B	C	
	Connection (NPT)	Nominal Port		940B	940B w/Positioner				
M14	1/2	1/2"	4.9	515	515	5.0 [127]	2.8 [71]	2.8 [71]	8 lbs [3.6 kg]
M19	3/4	3/4"	7.2	515	515	5.0 [127]	2.8 [71]	2.8 [71]	8 lbs [3.6 kg]
M26	1	1"	10.0	301	515	5.0 [127]	2.8 [71]	2.8 [71]	8 lbs [3.6 kg]
M47	1 1/2	1 1/2"	24	120	304	6.1 [155]	3.4 [86]	3.5 [89]	16 lbs [7.3 kg]
M58	2	2"	40	67	181	6.5 [165]	3.8 [97]	3.8 [97]	19 lbs [8.6 kg]

In-To-Open (Normally Closed)				Maximum Close-Off Pressure (psid)*		Dimensions			Approximate Shipping Wt.
Valve Body Number	Size		C <sub>v</sub>	Actuator		A	B	C	
	Connection (NPT)	Nominal Port		940B	940B w/Positioner				
M15	1/2	1/2"	4.9	244	515	5.0 [127]	2.8 [71]	2.8 [71]	8 lbs [3.6 kg]
M22	3/4	3/4"	7.2	244	515	5.0 [127]	2.8 [71]	2.8 [71]	8 lbs [3.6 kg]
M30	1	1"	10	132	515	5.0 [127]	2.8 [71]	2.8 [71]	8 lbs [3.6 kg]
M52	1 1/2	1 1/2"	24	44	236	6.1 [155]	3.4 [86]	3.5 [89]	16 lbs [7.3 kg]
M63	2	2"	40	19	138	6.5 [165]	3.8 [97]	3.8 [97]	19 lbs [8.6 kg]

\*Close-Off is Class IV