

CAST IRON

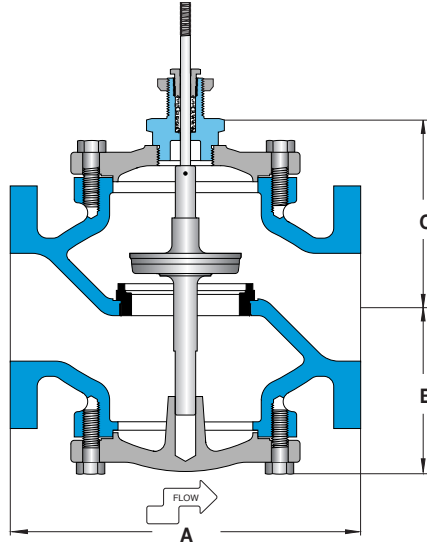
Valve Body Selection (for 940 Series Heavy Duty Control Valve)

Single Seat • 2 1/2" – 6"

All dimensions are nominal. Dimensions in [] are in millimeters.



Stem In-to-Close (normally open)



CONTROL VALVES

Size	Class 125			Class 250		
	A	B	C	A	B	C
2 1/2"	9.0 [229]	4.6 [117]	5.5 [140]	9.6 [244]	4.6 [117]	5.5 [140]
3"	10.0 [254]	5.3 [135]	6.1 [155]	10.8 [274]	5.3 [135]	6.1 [155]
4"	13.0 [330]	6.2 [157]	7.1 [180]	13.6 [345]	6.2 [157]	7.1 [180]
5"	15.8 [401]	5.6 [142]	7.8 [198]	16.6 [422]	5.6 [142]	7.8 [198]
6"	17.8 [452]	6.4 [163]	8.4 [213]	18.6 [472]	6.4 [163]	8.4 [213]

Specifications

Body Material	Trim Material	Trim Style	Connection	Pressure & Temperature Rating
Cast-iron	Stainless steel	Equal percentage	Class 125 flanged Class 250 flanged	140 PSI @ 300°F (149°C) 310 PSI @ 300°F (149°C)

Valve Body Selection

In-To-Close (Normally Open)				Maximum Close-Off Pressure (psid)								
Valve Body Number Class 125	Size		C _v	Actuator								Approximate Shipping Wt.
	Connection (Flanged)	Nominal Port		940B		940B w/Positioner		940C		940C w/Positioner		
				III	IV	III	IV	III	IV	III	IV	
K71	2 1/2	2 1/2"	65	59	49	140	140	91	75	140	140	55 lbs [24.9 kg]
K76	3	3"	90	39	30	110	100	61	48	140	140	72 lbs [32.7 kg]
K81	4	4"	170	19	12	59	50	32	22	87	77	119 lbs [54.0 kg]
K86	5	5"	280	11	4	36	30	19	11	54	46	134 lbs [60.8 kg]
K91	6	6"	360	6	x	24	19	12	5	36	30	175 lbs [79.4 kg]

In-To-Close (Normally Open)				Maximum Close-Off Pressure (psid)								
Valve Body Number Class 250	Size		C _v	Actuator								Approximate Shipping Wt.
	Connection (Flanged)	Nominal Port		940B		940B w/Positioner		940C		940C w/Positioner		
				III	IV	III	IV	III	IV	III	IV	
L71	2 1/2	2 1/2"	65	59	49	162	150	91	75	231	215	64 lbs [29.0 kg]
L76	3	3"	90	39	30	110	100	61	48	158	145	77 lbs [34.9 kg]
L81	4	4"	170	19	12	59	50	32	22	87	77	131 lbs [59.4 kg]
L86	5	5"	280	11	4	36	30	19	11	54	46	166 lbs [75.3 kg]
L91	6	6"	360	6	x	24	19	12	5	36	30	233 lbs [105.7kg]

Valve Body Selection

(for 940 Series Heavy Duty Control Valve)

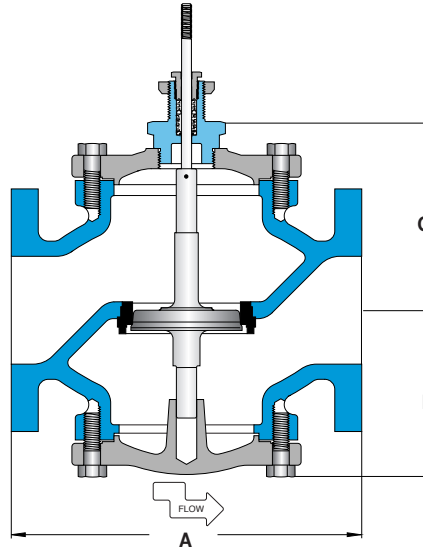
CAST IRON

Single Seat • 2 1/2" – 6"

All dimensions are nominal. Dimensions in [] are in millimeters.



Stem In-to-Open (normally closed)



Size	Class 125			Class 250		
	A	B	C	A	B	C
2 1/2"	9.0 [229]	4.6 [117]	5.5 [140]	9.6 [244]	4.6 [117]	5.5 [140]
3"	10.0 [254]	5.3 [135]	6.1 [155]	10.8 [274]	5.3 [135]	6.1 [155]
4"	13.0 [330]	6.2 [157]	7.1 [180]	13.6 [345]	6.2 [157]	7.1 [180]
5"	15.8 [401]	7.4 [188]	5.9 [150]	16.6 [422]	7.4 [188]	5.9 [150]
6"	17.8 [452]	8.0 [203]	6.7 [170]	18.6 [472]	8.0 [203]	6.7 [170]

Specifications

Body Material	Trim Material	Trim Style	Connection	Pressure & Temperature Rating
Cast-iron	Stainless steel	Equal percentage	Class 125 flanged Class 250 flanged	140 PSI @ 300°F (149°C) 310 PSI @ 300°F (149°C)

Valve Body Selection

In-To-Open (Normally Closed)				Maximum Close-Off Pressure (psid)								Approximate Shipping Wt.
Valve Body Number Class 125	Size Connection (Flanged)	Nominal Port	C _v	Actuator								
				940B		940B w/Positioner		940C		940C w/Positioner		
				III	IV	III	IV	III	IV	III	IV	
K72	2 1/2"	2 1/2"	65	25	16	140	140	44	29	140	140	55 lbs [24.9 kg]
K77	3"	3"	90	15	6	122	115	28	15	126	116	72 lbs [32.7 kg]
K82	4"	4"	170	6	x	46	39	13	4	68	59	119 lbs [54.0 kg]
K87	5"	5"	280	x	x	28	22	7	x	42	34	134 lbs [60.8 kg]
K92	6"	6"	360	x	x	18	13	x	x	28	22	175 lbs [79.4 kg]

In-To-Open (Normally Closed)				Maximum Close-Off Pressure (psid)								Approximate Shipping Wt.
Valve Body Number Class 250	Size Connection (Flanged)	Nominal Port	C _v	Actuator								
				940B		940B w/Positioner		940C		940C w/Positioner		
				III	IV	III	IV	III	IV	III	IV	
L72	2 1/2"	2 1/2"	65	25	16	175	165	44	29	185	176	64 lbs [29.0 kg]
L77	3"	3"	90	15	6	122	115	28	15	126	116	77 lbs [34.9 kg]
L82	4"	4"	170	6	x	46	39	13	4	68	59	131 lbs [59.4 kg]
L87	5"	5"	280	x	x	28	22	7	x	42	34	166 lbs [75.3 kg]
L92	6"	6"	360	x	x	18	13	x	x	28	22	233 lbs [105.7kg]