

Valve Body Selection

(for 940 Series Heavy Duty Control Valve)

BRONZE

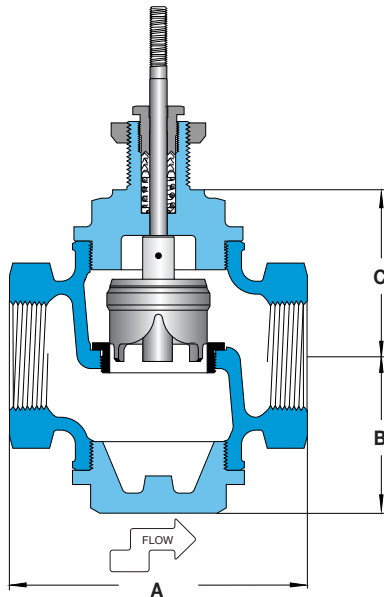
Single Seat • 1/2" – 2"



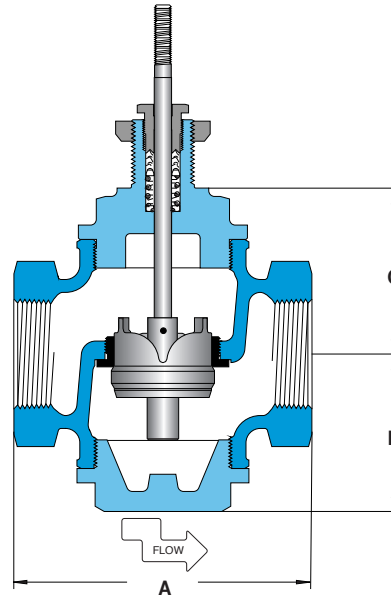
All dimensions are nominal. Dimensions in [] are in millimeters.

CONTROL VALVES

Stem In-to-Close (normally open)



Stem In-to-Open (normally closed)



Specifications

Body Material	Trim Material	Trim Style	Connection	Pressure & Temperature Rating
Bronze	Stainless steel	Equal percentage	Threaded	335 PSI @ 300°F (149°C)

Valve Body Selection

In-To-Close (Normally Open)				Maximum Close-Off Pressure (psid)*		Dimensions			Approximate Shipping Wt.
Valve Body Number	Size		C _v	940B	940B w/Positioner	A	B	C	
	Connection (NPT)	Nominal Port							
J14	1/2	1/2"	4.9	335	335	4.9 [124]	2.6 [66]	2.8 [71]	9 lbs [4.1 kg]
J19	3/4	3/4"	7.2	335	335	4.9 [124]	2.6 [66]	2.8 [71]	9 lbs [4.1 kg]
J26	1	1"	10.0	301	335	4.9 [124]	2.6 [66]	2.8 [71]	9 lbs [4.1 kg]
J36	1 1/4	1 1/4"	22.2	120	335	5.8 [147]	3.1 [79]	3.4 [87]	15 lbs [6.8 kg]
J47	1 1/2	1 1/2"	24	120	335	5.8 [147]	3.1 [79]	3.4 [87]	15 lbs [6.8 kg]
J58	2	2"	40	67	209	6.5 [165]	3.4 [86]	3.8 [97]	19 lbs [8.6 kg]

In-To-Open (Normally Closed)				Maximum Close-Off Pressure (psid)*		Dimensions			Approximate Shipping Wt.
Valve Body Number	Size		C _v	940B	940B w/Positioner	A	B	C	
	Connection (NPT)	Nominal Port							
J15	1/2	1/2"	4.9	244	335	4.9 [124]	2.6 [66]	2.8 [71]	9 lbs [4.1 kg]
J22	3/4	3/4"	7.2	244	335	4.9 [124]	2.6 [66]	2.8 [71]	9 lbs [4.1 kg]
J30	1	1"	10.0	132	335	4.9 [124]	2.6 [66]	2.8 [71]	9 lbs [4.1 kg]
J41	1 1/4	1 1/4"	22.2	44	335	5.8 [147]	3.1 [79]	3.4 [87]	15 lbs [6.8 kg]
J52	1 1/2	1 1/2"	24	44	335	5.8 [147]	3.1 [79]	3.4 [87]	15 lbs [6.8 kg]
J63	2	2"	40	19	232	6.5 [165]	3.4 [86]	3.8 [97]	19 lbs [8.6 kg]

* Close-Off is Class IV