

Valve Body Selection

(for 940E Series Electric Motor Control Valve)

CAST IRON

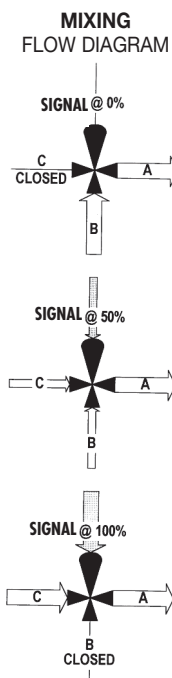
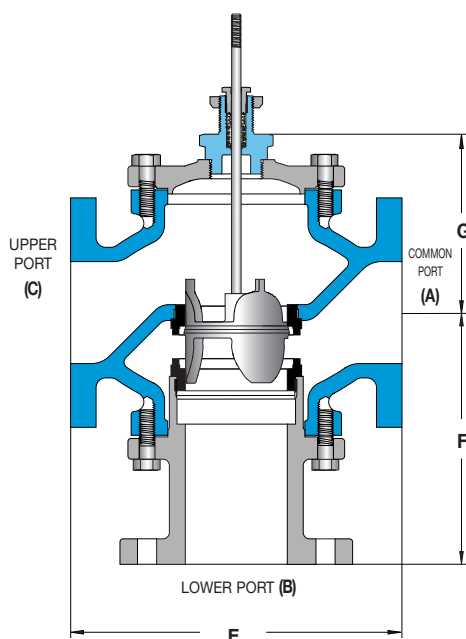
3-WAY • 2 1/2" – 6"



All dimensions are nominal. Dimensions in [] are in millimeters.

CONTROL VALVES

Mixing



Size	Class 125			Class 250		
	E	F	G	E	F	G
2 1/2"	9.0 [229]	7.1 [180]	5.5 [140]	9.6 [244]	7.4 [188]	5.5 [140]
3"	10.0 [254]	7.9 [201]	6.1 [155]	10.8 [274]	8.3 [211]	6.0 [152]
4"	13.0 [330]	9.9 [251]	7.1 [180]	13.6 [345]	10.2 [259]	7.1 [180]
5"	15.8 [401]	9.3 [236]	6.0 [152]	16.6 [422]	10.4 [264]	6.0 [152]
6"	17.8 [452]	9.9 [251]	6.8 [173]	18.6 [472]	11.0 [279]	6.8 [173]

Trerice 3-Way Valves are not designed for use in steam applications.

Specifications

Body Material	Trim Material	Trim Style	Connection	Pressure & Temperature Rating
Cast-iron	Stainless steel	Linear	Class 125 flanged Class 250 flanged	140 PSI @ 300°F (149°C) 310 PSI @ 300°F (149°C)

Valve Body Selection

Valve Body Number		Size		C _v	Maximum Close-Off Pressure (psid)				Approximate Shipping Wt.	
					Actuator Size 25		Actuator Size 26			
Class 125	Class 250	Connection (Flanged)	Nominal Port		Class III	Class IV	Class III	Class IV	Class 125	Class 250
P75	Q75	2 1/2	2 1/2"	69	40	24	62	46	64 lbs [29.0 kg]	73 lbs [33.1 kg]
P80	Q80	3	3"	85	25	12	41	28	83 lbs [37.6 kg]	94 lbs [42.6 kg]
P85	Q85	4	4"	156	Consult Factory				139 lbs [63.0 kg]	157 lbs [71.2 kg]
P90	Q90	5	5"	270	Consult Factory				157 lbs [71.2 kg]	211 lbs [95.7 kg]
P95	Q95	6	6"	347	Consult Factory				202 lbs [91.6 kg]	283 lbs [128.4 kg]

CAST IRON

All dimensions are nominal. Dimensions in [] are in millimeters.



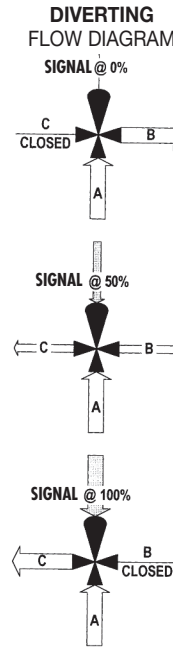
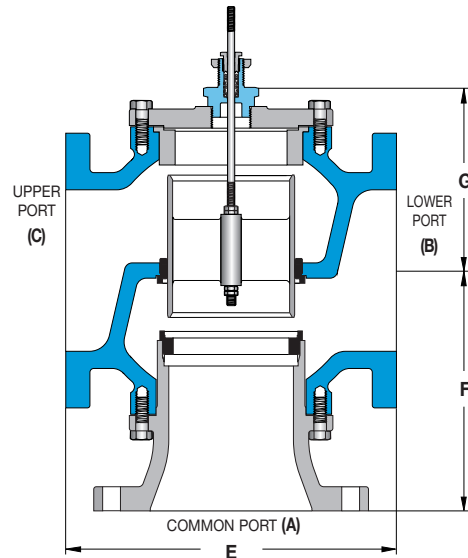
Valve Body Selection

(for 940E Series Electric Motor Control Valve)

3-WAY • 2 1/2" - 5"

CONTROL VALVES

Diverting



Size	Class 125			Class 250		
	E	F	G	E	F	G
2 1/2"	9.0 [229]	7.1 [180]	5.5 [140]	9.6 [244]	7.4 [188]	5.5 [140]
3"	10.0 [254]	8.0 [203]	6.1 [155]	10.8 [274]	8.4 [213]	6.1 [155]
4"	13.0 [330]	9.9 [251]	7.1 [180]	13.6 [345]	10.3 [262]	7.1 [180]
5"	12.0 [305]	10.5 [267]	7.5 [191]	12.9 [328]	11.0 [279]	7.5 [191]

Trerice 3-Way Valves are not designed for use in steam applications.

Specifications

Body Material	Trim Material	Trim Style	Connection	Pressure & Temperature Rating
Cast-iron	Bronze	Linear	Class 125 flanged Class 250 flanged	140 PSI @ 300°F (149°C) 310 PSI @ 300°F (149°C)

Valve Body Selection

Valve Body Number		Size			Maximum Close-Off Pressure (psid)*		Approximate Shipping Wt.	
Class 125	Class 250	Connection (Flanged)	Nominal Port	C _v	Actuator Size 26		Class 125	Class 250
					Class III	Class IV		
K75	L75	2 1/2	2 1/2"	68	125	x	59 lbs [26.8 kg]	73 lbs [33.1 kg]
K80	L80	3	3"	85	125	x	78 lbs [35.4 kg]	94 lbs [42.6 kg]
K85	L85	4	4"	160	Consult Factory		138 lbs [62.6 kg]	157 lbs [71.2 kg]
K90	L90	5	5"	195	Consult Factory		152 lbs [68.9 kg]	213 lbs [96.6 kg]

*Close-Off is Class II

