

Valve Body Selection

(for 940E Series Electric Motor Control Valve)

BRONZE

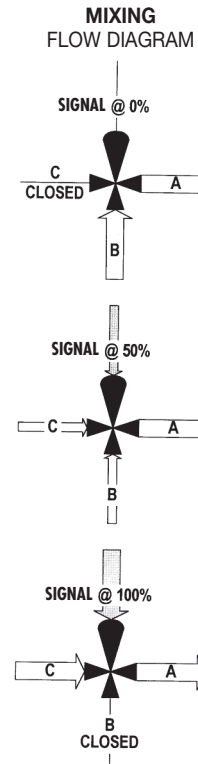
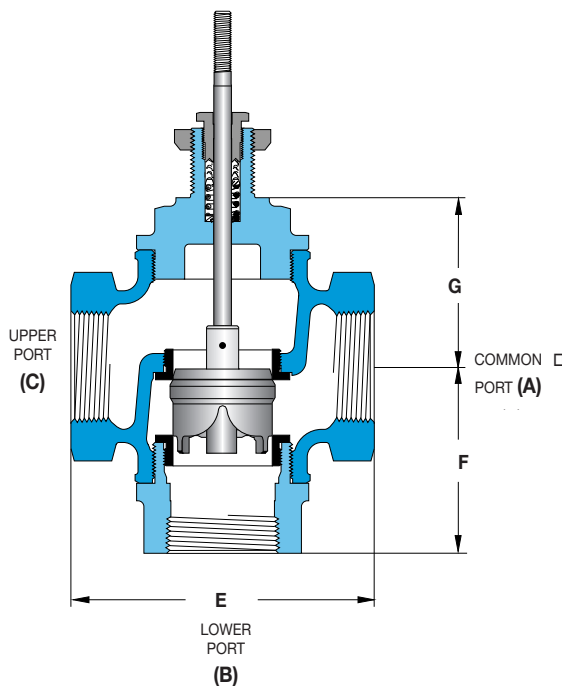
3-WAY • 1/2" - 2"



All dimensions are nominal. Dimensions in [] are in millimeters.

CONTROL VALVES

Mixing



Trerice 3-Way Valves are not designed for use in steam applications.

To properly control the mixing of two flows, inlet pressures at ports B and C should be as equal as possible.

Specifications

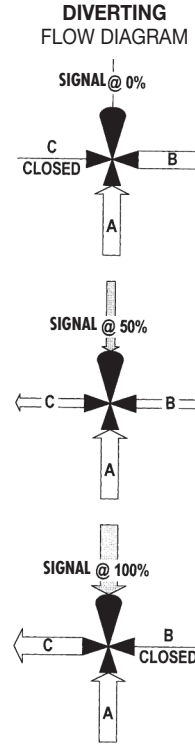
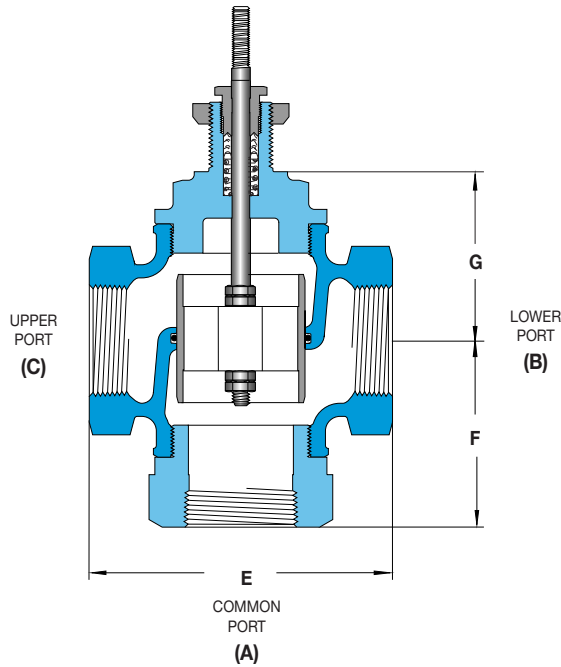
Action	Body Material	Trim Material	Trim Style	Connection	Pressure & Temperature Rating
Mixing	Bronze	Stainless steel	Linear	Threaded	335 PSI @ 300°F (149°C)

Valve Body Selection

Valve Body Number	Size		C _v	Max Close-Off Pressure (psid)				Dimensions			Approximate Shipping Weight
	Connection (NPT)	Nominal Port		Actuator Size 25		Actuator Size 26		E	F	G	
				Class III	Class IV	Class III	Class IV				
N18	1/2	1/2"	6.3	238	203	x	x	4.9 [124]	2.7 [69]	2.7 [69]	9 lbs [4.1 kg]
N25	3/4	3/4"	8.2	238	203	x	x	4.9 [124]	2.7 [69]	2.7 [69]	9 lbs [4.1 kg]
N34	1	1"	10	283	203	351	315	4.9 [124]	2.7 [69]	2.7 [69]	9 lbs [4.1 kg]
N56	1 1/2	1 1/2"	20	100	76	151	127	5.8 [147]	3.8 [97]	3.4 [86]	16 lbs [7.3 kg]
N67	2	2"	40	58	39	90	71	6.5 [165]	4.0 [102]	3.8 [97]	20 lbs [9.1 kg]



Diverting



Terice 3-Way Valves are not designed for use in steam applications.

Specifications

Action	Body Material	Trim Material	Trim Style	Connection	Pressure & Temperature Rating
Diverting	Bronze	Bronze	Linear	Threaded	335 PSI @ 300°F (149°C)

Valve Body Selection

Valve Body Number	Size		C _v	Maximum Close-Off Pressure (psid)*		Dimensions			Approximate Shipping Wt.
	Connection (NPT)	Nominal Port		Actuator Size		E	F	G	
				25	26				
J34	1	1"	12	125	x	4.9 [124]	2.7 [69]	2.8 [72]	9 lbs [4.1 kg]
J56	1½	1½"	22	125	x	5.8 [147]	3.8 [97]	3.5 [89]	17 lbs [7.3 kg]
J67	2	2"	40	125	x	6.5 [165]	4.0 [102]	3.8 [97]	21 lbs [9.5 kg]

*Close-Off is Class II