

Valve Body Selection (for 910A, 910B & 910C Control Valves)

BRONZE

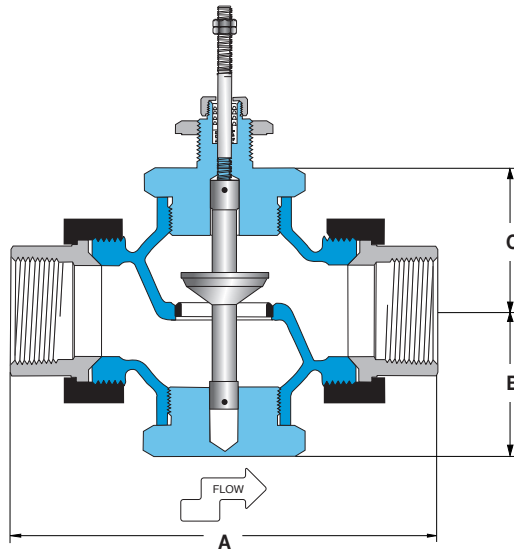
Single Seat • 1/2" – 2"



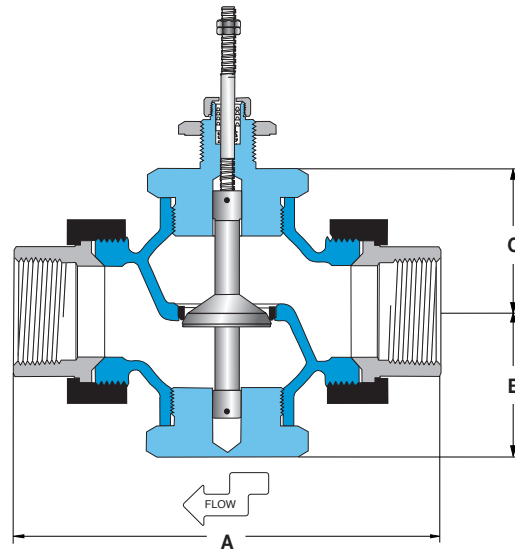
All dimensions are nominal. Dimensions in [] are in millimeters

CONTROL VALVES

**Stem In-To-Close
(normally open)**



**Stem In-To-Open
(normally closed)**



Specifications

Body Material	Trim Material	Trim Style	Connection	Pressure & Temperature Rating
Bronze	Stainless steel	Modified linear	Threaded, malleable iron union ends	250 PSI @ 410°F (210°C)

Valve Body Selection

In-To-Close (Normally Open)				Maximum Close-Off Pressure (psid)			Dimensions			Approximate Shipping Wt.
Valve Body Number	Size		C _v	Actuator			A	B	C	
	Connection (NPT)	Nominal Port		910A	910B	910C				
A14	1/2	1/2"	2.8	250	x	x	4.8 [122]	1.8 [46]	1.8 [46]	3.0 lbs [1.35 kg]
A19	3/4	3/4"	5.6	250	x	x	5.6 [142]	2.3 [58]	2.3 [58]	4.9 lbs [2.21 kg]
A26	1	1"	8.4	200	250	x	6.0 [152]	2.3 [58]	2.3 [58]	6.0 lbs [2.70 kg]
A36	1 1/4	1 1/4"	15	100	250	x	7.2 [183]	2.6 [66]	2.6 [66]	9.7 lbs [4.37 kg]
A47	1 1/2	1 1/2"	21	50	150	250	7.7 [196]	2.6 [66]	2.6 [66]	10.8 lbs [4.86 kg]
A58	2	2"	33	25	50	250	8.6 [218]	3.1 [79]	3.1 [79]	16.3 lbs [7.34 kg]

In-To-Open (Normally Closed)				Maximum Close-Off Pressure (psid)			Dimensions			Approximate Shipping Wt.
Valve Body Number	Size		C _v	Actuator			A	B	C	
	Connection (NPT)	Nominal Port		910A	910B	910C				
A15	1/2	1/2"	2.8	250	x	x	4.8 [122]	1.8 [46]	1.8 [46]	3.0 lbs [1.35 kg]
A22	3/4	3/4"	5.6	250	x	x	5.6 [142]	2.3 [58]	2.3 [58]	4.9 lbs [2.21 kg]
A30	1	1"	8.4	200	x	x	6.0 [152]	2.3 [58]	2.3 [58]	6.0 lbs [2.70 kg]
A41	1 1/4	1 1/4"	15	150	x	x	7.2 [183]	2.6 [66]	2.6 [66]	9.7 lbs [4.37 kg]
A52	1 1/2	1 1/2"	21	100	x	x	7.7 [196]	2.6 [66]	2.6 [66]	10.8 lbs [4.86 kg]
A63	2	2"	33	50	x	x	8.6 [218]	3.1 [79]	3.1 [79]	16.3 lbs [7.34 kg]