

BRONZE

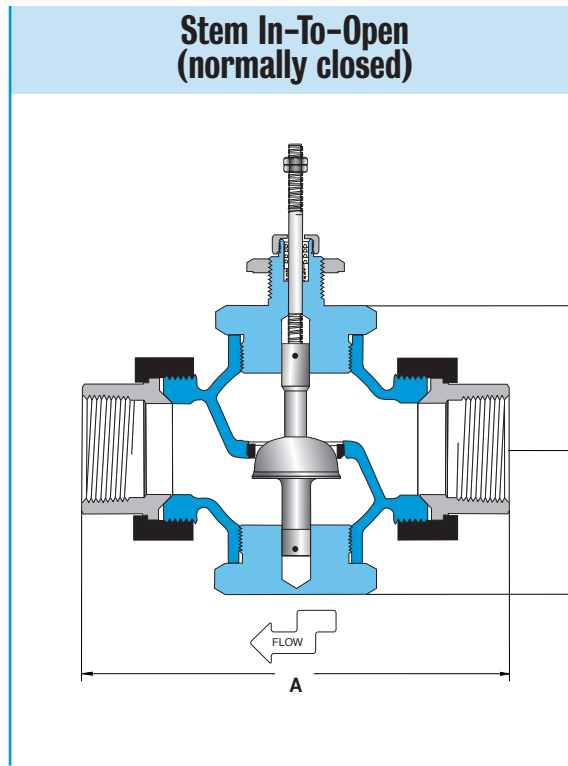
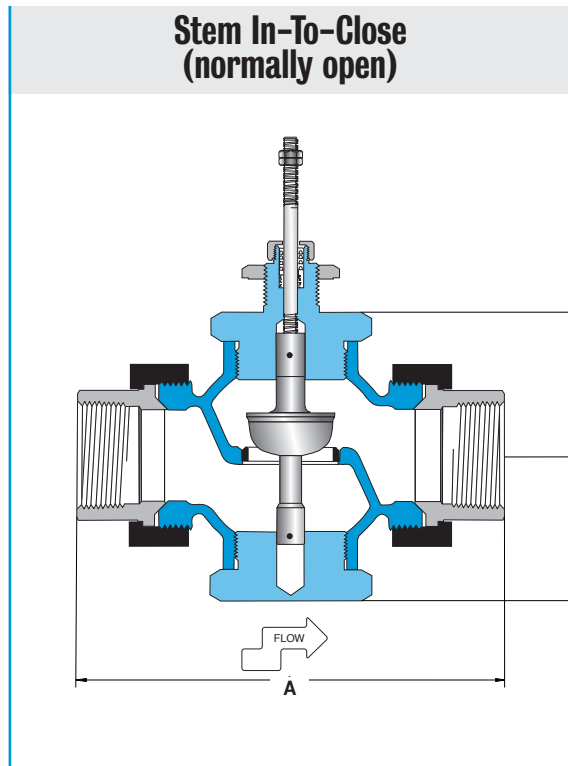
All dimensions are nominal. Dimensions in [] are in millimeters.



Valve Body Selection (for 910EPA & 910EPC Control Valve)

Single Seat • 1/2" – 2"

CONTROL VALVES



Specifications

Body Material	Trim Material	Trim Style	Connection Pressure & Temperature Rating	
Bronze	Stainless steel	Equal percentage	Threaded, malleable iron union ends	250 PSI @ 410°F (210°C)

Valve Body Selection

In-To-Close (Normally Open)				Maximum Close-Off Pressure (psid)		Dimensions			Approximate Shipping Wt.
Valve Body Number	Size		C _v	910EPA	910EPC	A	B	C	
	Connection (NPT)	Nominal Port							
E14	1/2	1/2"	2.8	x	250	4.8 [122]	1.8 [46]	1.8 [46]	3.0 lbs [1.35 kg]
E19	3/4	3/4"	5.6	x	250	5.6 [142]	2.3 [58]	2.3 [58]	4.9 lbs [2.21 kg]
E26	1	1"	8.4	x	200	6.0 [152]	2.3 [58]	2.3 [58]	6.0 lbs [2.70 kg]
E36	1 1/4	1 1/4"	15	x	150	7.2 [183]	2.6 [66]	2.6 [66]	9.7 lbs [4.37 kg]
E47	1 1/2	1 1/2"	21	x	100	7.7 [196]	2.6 [66]	2.6 [66]	10.8 lbs [4.86 kg]
E58	2	2"	33	x	50	8.6 [218]	3.1 [79]	3.1 [79]	16.3 lbs [7.34 kg]

In-To-Open (Normally Closed)				Maximum Close-Off Pressure (psid)		Dimensions			Approximate Shipping Wt.
Valve Body Number	Size		C _v	910EPA	910EPC	A	B	C	
	Connection (NPT)	Nominal Port							
E15	1/2	1/2"	2.8	250	x	4.8 [122]	1.8 [46]	1.8 [46]	3.0 lbs [1.35 kg]
E22	3/4	3/4"	5.6	250	x	5.6 [142]	2.3 [58]	2.3 [58]	4.9 lbs [2.21 kg]
E30	1	1"	8.4	200	x	6.0 [152]	2.3 [58]	2.3 [58]	6.0 lbs [2.70 kg]
E41	1 1/4	1 1/4"	15	150	x	7.2 [183]	2.6 [66]	2.6 [66]	9.7 lbs [4.37 kg]
E52	1 1/2	1 1/2"	21	100	x	7.7 [196]	2.6 [66]	2.6 [66]	10.8 lbs [4.86 kg]
E63	2	2"	33	50	x	8.6 [218]	3.1 [79]	3.1 [79]	16.3 lbs [7.34 kg]