

Threaded-NPT Diaphragm Seals

DIAPHRAGM SEALS



The Trerice **Threaded NPT Diaphragm Seal** is offered in both Clean-out and Non Clean-out designs, with female threaded connections of 1/4 NPT through 1 NPT. The Non Clean-out design can be furnished with diaphragm materials of Teflon (T), Viton (V), or Removable Metal (M), while the Clean-out design is available with all diaphragm choices, including Welded Metal (W).

Selection of the proper diaphragm seal is the sole responsibility of the user. Temperature and pressure limitations must be considered. Please refer to the Diaphragm Seal Design & Operation Section of this catalog. Improper application may cause failure of the seal, resulting in possible personal injury or property damage.

For correct use and application of all diaphragm seals, please refer to Diaphragm Seal Standard ASME B40.2.

- ▶ Clean-out or Non Clean-out Design
- ▶ Flushing Connection Available
- ▶ Threaded Process Connection

M511 shown

SPECIFICATIONS

Style	Available Diaphragm Types*	Diaphragm Size	Process Connection	Clean-out Design	1/4 NPT Flushing Connection
510	M, T, V	Standard	Threaded	No	No
511	M, T, V	Standard	Threaded	No	Yes
515	M, T, V, W	Standard	Threaded	Yes	No
516	M, T, V, W	Standard	Threaded	Yes	Yes
610	M, T	Large	Threaded	No	No
611	M, T	Large	Threaded	No	Yes
615	M, T, W	Large	Threaded	Yes	No
616	M, T, W	Large	Threaded	Yes	Yes

*M = Removable Metal, T = Teflon, V = Viton, W = Welded Metal

Note: Due to the variety of available diaphragm seal configurations and materials, it is not possible to list each weight in this catalog. Please consult factory.

HOW TO ORDER

Sample Order Number: **M 5 10 04 S S CC**

Diaphragm Type	Diaphragm Size	Style	Connection Size	Diaphragm Material	Process Housing Material	Instrument Housing & Bolt Material
M Metal	5 Standard	10 Non Clean-out, Non-Flushing	See Connection Sizes	See Diaphragm Materials	See Process Housing Materials	CC Carbon Steel SS 316 Stainless Steel
T Teflon	6 Large	11 Non Clean-out, Flushing				
V Viton**		15 Clean-out, Non-Flushing				
W Welded†		16 Clean-out, Flushing				

**Diaphragm Type V available only with Diaphragm Size 5.

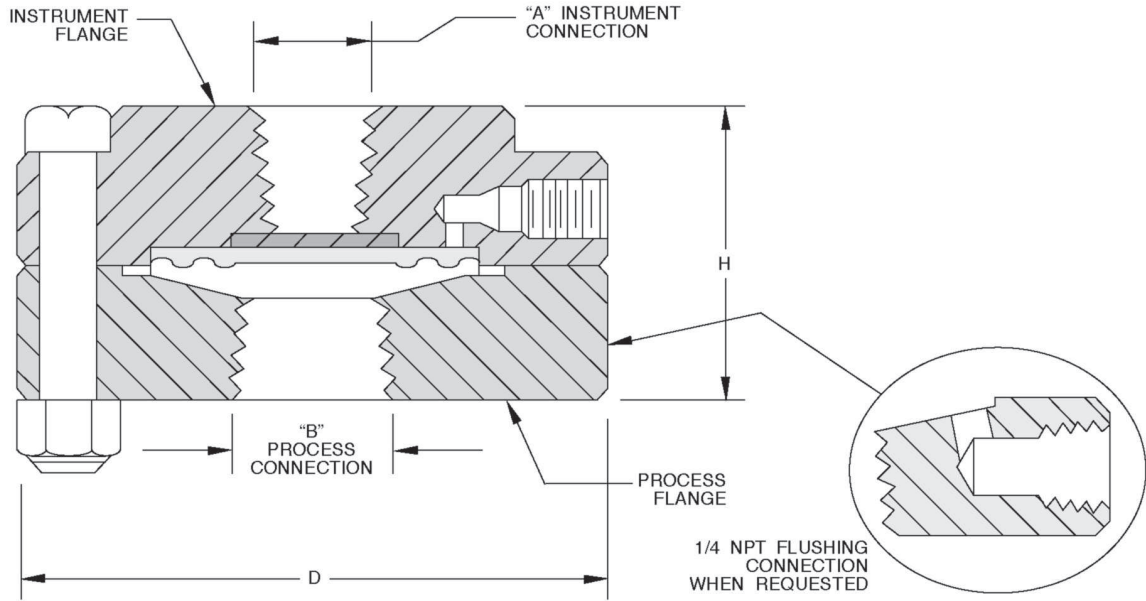
†Diaphragm Type W available only with Styles 15 and 16.

See Sizes and Materials Table

Threaded-NPT Diaphragm Seals

DIAPHRAGM SEALS

All dimensions are nominal. Dimensions in [] are in millimeters.



Diaphragm Type and Size	A	B	H	D
M, T, W 5 Series	1/4, 1/2 NPT as specified	1/4, 1/2, 3/4, 1 NPT as specified	1.63 [41]	3.25 [83]
V 5 Series	1/4, 1/2 NPT as specified	1/4, 1/2, 3/4, 1 NPT as specified	1.88 [48]	3.25 [83]
M, T, W 6 Series	1/4, 1/2 NPT as specified	1/4, 1/2, 3/4, 1 NPT as specified	1.63 [41]	4.00 [102]

Sizes and Materials

Connection Sizes			Diaphragm Materials		Process Housing Materials	
Code	Instrument Connection (NPT)	Process Connection (NPT)	Code	Material	Code	Material
01	1/4	1/4	D	Carpenter 20	C	Steel
02	1/2	1/4	F	304 Stainless Steel*	D	Carpenter 20
03	1/4	1/2	G	Hastelloy B	F	304 Stainless Steel
04	1/2	1/2	H	Hastelloy C-276	G	Hastelloy B
05	1/4	3/4	M	Monel	H	Hastelloy C-276
06	1/2	3/4	N	Nickel	M	Monel
07	1/4	1	S	316L Stainless Steel	N	Nickel
08	1/2	1	T	Teflon	P	Polypropylene
			U	Tantalum	S	316L Stainless Steel
			V	Viton**	T	Teflon
					Z	PVC

* 304 Stainless Steel diaphragm not available with Diaphragm Size 6.

**Viton Diaphragm available only with Diaphragm Size 5.