

750 Series

Solid Front • Field Liquid Fillable • Stainless Steel Case

SPECIALTY GAUGES



750SS shown



- ▶ 2 1/2", 4" Dial Size
- ▶ ±1.0% Accuracy
- ▶ Stainless Steel Case
- ▶ Solid Front/Blow-Out Back
- ▶ Field Liquid Fillable

The Trerice **750 Series** Process Gauge is designed for the varying needs of the world's process industries. This solid front/blow-out back gauge features a stainless steel case and ring. Its sturdy interior design and field liquid-fill capability (no kit required) provide the durability, accuracy and safety required for industrial process applications. Wetted parts are stainless steel or Monel.

- Optional features available: Please consult the Options & Accessories Section for details.
- For correct use and application of all pressure gauges, please refer to: Pressure Gauge Standard ASME B40.100.

Specifications

Models	Wetted Parts
750SS (dry) 750LFSS (liquid-filled)	316 stainless steel tube and socket
750M (dry) 750LFM (liquid-filled)	Monel tube and socket (meets NACE MR 01.75)

Dial Size	2 1/2", 4"
Fill	Glycerine. Other fills available. See Options & Accessories.
Movement	Stainless steel
Connection	Lower male, 1/4 or 1/2 NPT
Case	304 stainless steel, satin finished, stem-mounted flangeless, solid front with blow-out back
Ring	Bayonet type, 304 stainless steel
Window	Laminated safety glass
Pointer	Plain, black finished Micro-adjustable, black finished
Dial Face	Aluminum, white background with black graduations and markings
Accuracy	±1.0% Full Scale, ASME B40.100 Grade 1A

Maximum Temperature	750SS, 750M: 250°F (121°C) 750LFSS, 750LFM: 150°F (65°C)
----------------------------	---

Approximate Shipping Weight	2 1/2" Dial size: 750SS, 750M, 0.4 lbs [0.18kg] 4" Dial size: 750SS, 750M, 1.3 lbs [0.59 kg] 4" Dial size: 750LFSS, 750LFM, 1.8 lbs [0.82 kg]
------------------------------------	--

HOW TO ORDER

Sample Order Number: **750SS 40 04 L D 120**

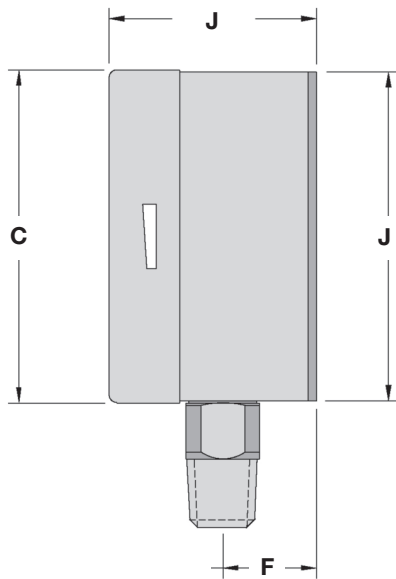
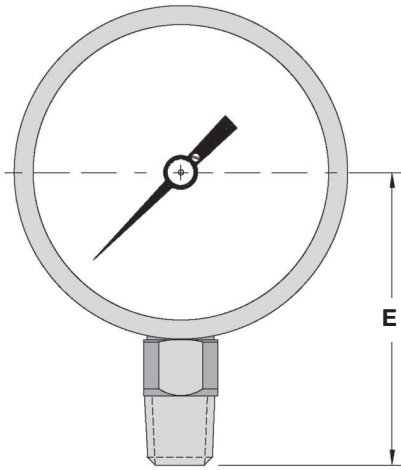
Model	Dial Size	Connection Size	Connection Location	Units of Measure	Range Code
750SS	25 2 1/2"*	02 1/4 NPT	L Lower	A psi	See Standard Ranges
750LFSS	40 4"	04 1/2 NPT		D psi/kPa	
750M					
750LFM					

* 2 1/2" dial size only available with 1/4 NPT connection size

750 Series

Solid Front • Field Liquid Fillable • Stainless Steel Case

All dimensions are nominal.
Dimensions in [] are in millimeters



Dial Size	C	E	F	J
2 1/2"	2.48 [63]	2.13 [54]	0.71 [18]	1.61 [41]
4"	3.95 [99]	3.47 [88]	1.11 [28]	2.45 [63]

SPECIALTY GAUGES

Standard Ranges

psi Ranges (A)			
Range Code	Specific Range (psi)	Figure Intervals	Minor Divisions
010	30" Hg to 0	5	0.5
020	30" Hg to 15 psi	10/5	0.5/0.5
030	30" Hg to 30 psi	10/5	1/1
040	30" Hg to 60 psi	10/10	2/1
050	30" Hg to 100 psi	30/20	2/2
060	30" Hg to 150 psi	30/20	5/2
070	30" Hg to 300 psi	30/50	5/5
080	0 to 15 psi	3	0.2
090	0 to 30 psi	5	0.5
100	0 to 60 psi	10	1
110	0 to 100 psi	10	2
120	0 to 160 psi	20	2
130	0 to 200 psi	20	2
140	0 to 300 psi	50	5
150	0 to 400 psi	50	5
160	0 to 600 psi	100	10
180	0 to 1000 psi	100	20
190	0 to 1500 psi	300	20
200	0 to 2000 psi	200	20
210	0 to 3000 psi	500	50
220	0 to 5000 psi	1000	100
230	0 to 10,000 psi	2000	200
Ranges over 10,000 psi are ONLY available on 750SS or 750LFSS.			
240	0 to 15,000 psi	2000	200
250	0 to 20,000 psi	2000	200

For dual scale ranges, specify the appropriate **Units of Measure: D** (psi/kPa) followed by the corresponding **A** (psi) Range Code. Other pressure ranges are also available including: Altitude, Ammonia, Refrigerant and Receiver. Consult Special Application Ranges section or factory for availability.