

# 700 Series

## Field Liquid Fillable • Stainless Steel Case

INDUSTRIAL GAUGES



700SS shown



- ▶ 2 1/2", 4", 6" Dial Sizes
- ▶ ±1.0% Accuracy
- ▶ Stainless Steel Case
- ▶ Field Liquid Fillable

The Trerice **700 Series** Industrial Gauge is designed for the varying needs of the world's industrial applications. This gauge has a stainless steel case and ring. Its sturdy interior design and field liquid-fill capability (no kit required) provide the durability and accuracy required for industrial process environments. Available wetted parts are bronze tube with brass socket, stainless steel tube and socket, or Monel tube and socket.

- Optional features and case style variations available: Please consult the Options & Accessories Section for details.
- For correct use and application of all pressure gauges, please refer to: Pressure Gauge Standard ASME B40.100.

### HOW TO ORDER

Sample Order Number: **700LFSS 25 02 B A 140**

Model	Dial Size	Connection Size	Connection Location	Units of Measure	Range Code
700B	25 2 1/2" *	02 1/4 NPT	L Lower	A psi	See Standard Ranges
700LFB	40 4"	04 1/2 NPT	B Back	D psi/kPa	
700SS	60 6"				
700LFSS					
700M					
700LFM					

\* Not available with Monel wetted parts or with 1/2 NPT connection.

### Specifications

Models	Wetted Parts
700B (dry)	} Bronze tube, brass socket
700LFB (liquid-filled)	
700SS (dry)	} 316 stainless steel tube and socket
700LFSS (liquid-filled)	
700M (dry)	} Monel tube and socket (meets NACE MR 01.75)
700LFM (liquid-filled)	

<b>Dial Sizes</b>	2 1/2", 4", 6"
<b>Fill</b>	Glycerine. Other fills available. See Options & Accessories.
<b>Movement</b>	700B Brass, 700SS, 700M Stainless steel
<b>Connection</b>	2 1/2" Dial Size: Lower male or center back male, 1/4 NPT 4", 6" Dial Size: Lower male or lower back male, 1/4 or 1/2 NPT
<b>Case</b>	304 stainless steel, satin finished, stem-mounted flangeless
<b>Ring</b>	Bayonet type, 304 stainless steel
<b>Window</b>	Laminated safety glass
<b>Pointer</b>	2 1/2" Dial Size: Adjustable, black finished 4", 6", Dial Size: Micro adjustable, black finished
<b>Dial Face</b>	Aluminum, white background with black graduations and markings
<b>Accuracy</b>	±1.0% Full Scale, ASME B40.100 Grade 1A
<b>Maximum Temperature</b>	700SS, 700M: <b>250°F (121°C)</b> 700B, 700LFB, 700LFSS, 700LFM: <b>150°F (65°C)</b>

### Approximate Shipping Weight

700B, 700SS 2 1/2" Dial Size: 0.4 lbs [0.18 kg]  
700LFB, 700LFSS, 700LFM 2 1/2" Dial Size: 0.5 lbs [0.23 kg]  
700B, 700SS, 700M 4" Dial Size: 1.3 lbs [0.59 kg]  
700LFB, 700LFSS, 700LFM 4" Dial Size: 2.1 lbs [0.95 kg]  
700B, 700SS, 700M 6" Dial Size: 2.0 lbs [0.91 kg]  
700LFB, 700LFSS, 700LFM 6" Dial Size: 3.8 lbs [1.72 kg]

# 700 Series

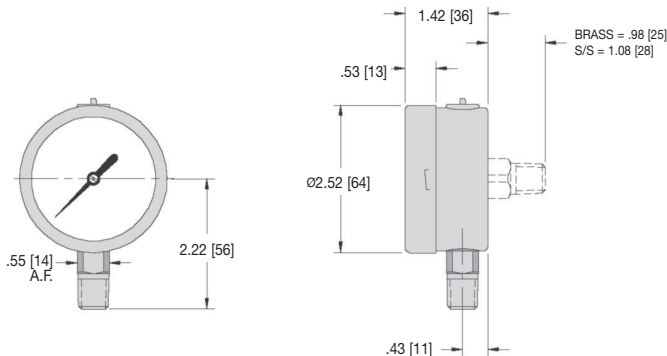
## Field Liquid Fillable • Stainless Steel Case

INDUSTRIAL GAUGES

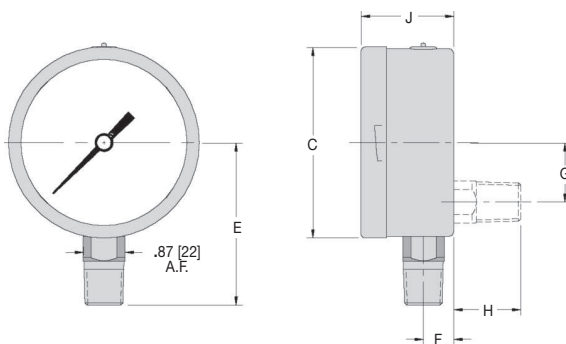
All dimensions are nominal. Dimensions in [ ] are in millimeters.

Dial Size	Material	C	E	F	G	H	J
4"	Brass	3.98 [101]	3.39 [86]	0.94 [24]	1.04 [27]	1.44 [37]	2.24 [57]
	SS	3.98 [101]	3.39 [86]	0.94 [24]	1.36 [35]	1.38 [35]	2.24 [57]
6"	Brass	6.34 [161]	4.57 [116]	0.69 [18]	1.04 [27]	1.44 [37]	1.97 [50]
	SS	6.34 [161]	4.57 [116]	0.69 [18]	1.36 [35]	1.38 [35]	1.97 [50]

### 2 1/2"



### 4" & 6"



### Standard Ranges

psi Ranges (A)			
All Sizes			
Range Code	Specific Range (psi)	Figure Intervals	Minor Divisions
010	30" Hg to 0	5	0.5
020	30" Hg to 15 psi	10/5	0.5/0.5
030	30" Hg to 30 psi	10/5	1/1
040	30" Hg to 60 psi	10/10	2/1
050	30" Hg to 100 psi	30/20	2/2
060	30" Hg to 150 psi	30/20	5/2
070	30" Hg to 300 psi	30/50	5/5
080	0 to 15 psi	3	0.2
090	0 to 30 psi	5	0.5
100	0 to 60 psi	10	1
110	0 to 100 psi	10	1
120	0 to 160 psi	20	2
130	0 to 200 psi	20	2
140	0 to 300 psi	50	5
150	0 to 400 psi	50	5
160	0 to 600 psi	100	10
Ranges over 600 psi are not available in 700B or 700LFB in 4" or 6" Dial Sizes.			
180	0 to 1000 psi	100	20
190	0 to 1500 psi	300	20
200	0 to 2000 psi	200	20
210	0 to 3000 psi	500	50
220	0 to 5000 psi	1000	100
230	0 to 10,000 psi	2000	200
Ranges over 10,000 psi are ONLY available in 700SS or 700LFSS in 4" or 6" Dial Sizes.			
240	0 to 15,000 psi	2000	200

For dual scale ranges, specify the appropriate **Units of Measure: D** (psi/kPa) followed by the corresponding **A** (psi) **Range Code**. Other pressure ranges are also available including: Altitude, Ammonia, Refrigerant and Receiver. Consult Special Application Ranges section or factory for availability.