

575SS

Field Test Gauge

INDUSTRIAL GAUGES



575SS shown

- ▶ **Mirrored Dial**
- ▶ **Includes Carrying Case**
- ▶ **NIST Traceable Certification**

The Trerice **575SS** offers portable inspecting and testing of pressure systems and vessels prior to start up or to trouble shoot existing applications. This gauge has a mirrored dial face, adjustable pointer and NIST traceable certification allowing for the best in-field testing.

For correct use and application of all pressure gauges refer to: Pressure Gauge Standard ASME B40.100.



HOW TO ORDER

Sample Order Number: **575SS 45 02 L A 140**

Model	Dial Size	Connection Size	Connection Location	Units of Measure	Range Code
575SS	45 4 1/2"	02 1/4 NPT	L Lower	A psi	See Standard Ranges

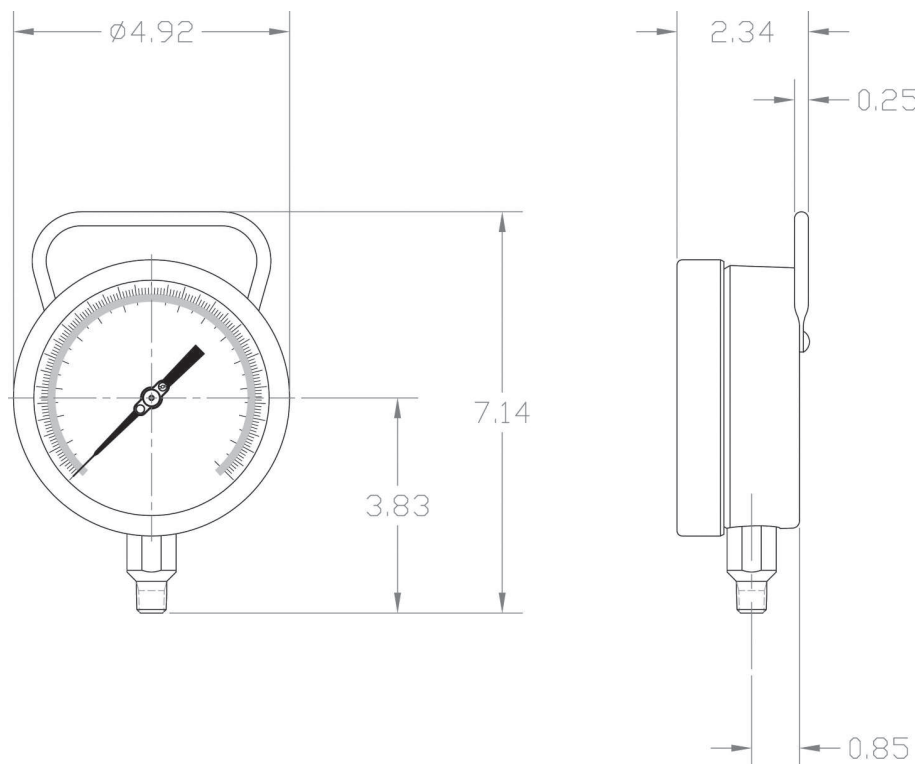
Specifications

Model	575SS
Dial Size	4 1/2"
Wetted Parts	316L stainless steel tube and socket
Movement	Stainless steel, Delrin bushings and sector gear
Connection	1/4 NPT lower male
Case	Cast aluminum, chrome-plated finish NEMA 2
Ring	Cast aluminum, threaded chrome-plated finish
Window	Laminated safety glass
Pointer	Black knife edge, slotted micro-adjustable
Dial Face	Aluminum, white background with mirrored band, black graduations and markings
Accuracy	+/- 0.5% Full Scale, ASME B40.100 Grade 2A
Safety	Rear mounted blow-out disc and overload/underload stops
Carrying Case	Blue hard sided with foam insert for shock resistance
Certification	NIST traceable certificate of accuracy included with serial number printed on dial
Features	Heavy duty wrench Carry handle on case Restrictor screw
Approximate Shipping Weight	0.6 lbs [0.27 kg] 0.4 lbs [0.18 kg]

575SS

Field Test Gauge

INDUSTRIAL GAUGES



Standard Ranges

psi Ranges (A)			
Range Code	Specific Range (psi)	Figure Intervals	Minor Divisions
010	30" Hg to 0 psi	5	0.2
020	30" Hg to 15 psi	5/5	0.5/0.2
030	30" Hg to 30 psi	10/5	1/0.5
040	30" Hg to 60 psi	10/10	1/1
050	30" Hg to 100 psi	30/10	2/1
060	30" Hg to 150 psi	30/20	5/2
070	30" Hg to 300 psi	30/50	5/2
080	0 to 15 psi	3	0.1
090	0 to 30 psi	5	0.2
100	0 to 60 psi	10	0.5
110	0 to 100 psi	10	1
120	0 to 160 psi	10	1
130	0 to 200 psi	20	2
140	0 to 300 psi	50	2
150	0 to 400 psi	50	5
160	0 to 600 psi	50	5
180	0 to 1000 psi	100	10
190	0 to 1500 psi	300	10
200	0 to 2000 psi	200	20
210	0 to 3000 psi	300	20
220	0 to 5000 psi	500	50