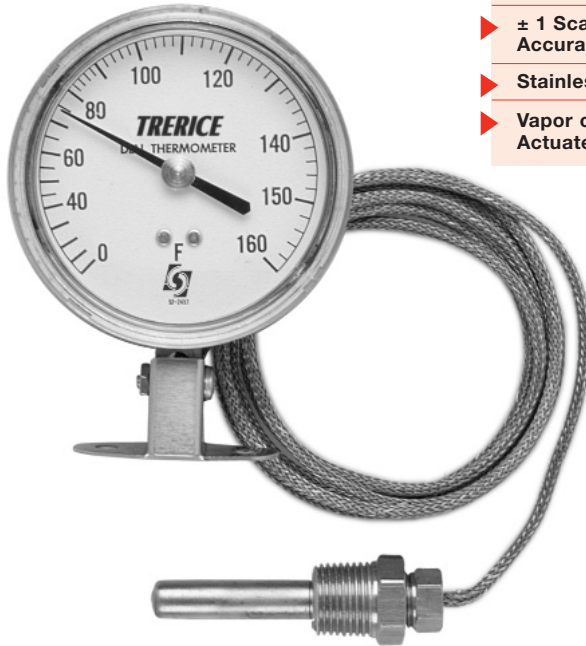


# Remote Mounted Dial Thermometer

## 3 1/2" Stainless Steel Case

DIAL THERMOMETERS



V80025 shown

- ▶ 3 1/2" Dial Size
- ▶ ± 1 Scale Division Accuracy
- ▶ Stainless Steel Case
- ▶ Vapor or Liquid Actuated

The Trerice **Remote Mounted Dial Thermometer** is used extensively in the building and construction industry and is the preferred temperature instrument for OEMs worldwide. The stainless steel case is available in many styles for panel and surface mounting. This instrument has a 3 1/2" dial size and is available with either vapor or liquid actuation.






- Optional features available: Please consult the Optional Features Section for details.

#### Thermowell

- For applications where the process media may be corrosive or contained under pressure, the use of a thermowell is required to prevent damage to the thermometer and facilitate its removal from the process.

(Refer to page 154)

### Specifications

Models	Dial Size	Case Styles
80025	3 1/2"	 <b>Adjustable Angle,</b> with mounting bracket
80035	3 1/2"	 <b>Surface Mounted,</b> back flanged, with bottom outlet
80036	3 1/2"	 <b>Surface Mounted,</b> back flanged with back outlet
80040	3 1/2"	 <b>Flush Mounted,</b> front flanged, with back outlet
80041	3 1/2"	 <b>Flush Mounted,</b> u-clamp with back outlet

**Movement** Brass

#### **Case Material**

Stainless Steel

#### **Window**

Acrylic, snap-in with

### HOW TO ORDER

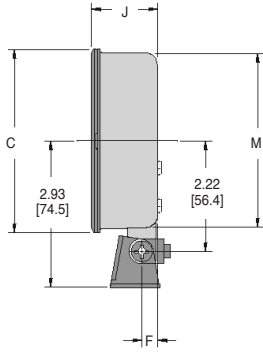
Sample Order Number: **V 80035 110 B01 05**

Actuation	Model	Range Code	Thermal System	Capillary Length*
V Vapor	80025	See Standard Ranges	See Thermal Selection (pages 112-113)	05 5 Feet
L Liquid	80035			10 10 Feet
	80036			15 15 Feet
	80040			20 20 Feet
	80041			

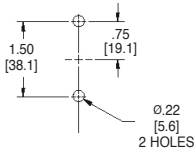
\* Other Capillary lengths available: Specify in feet. Vapor: 100 Feet Max  
Liquid: 20 Feet Max

All dimensions are nominal.  
Dimensions in [ ] are in millimeters.

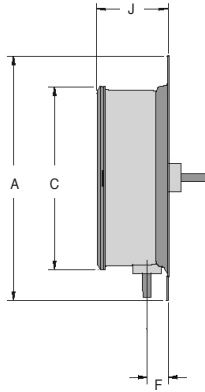
**80025 Adjustable Angle with mounting bracket**



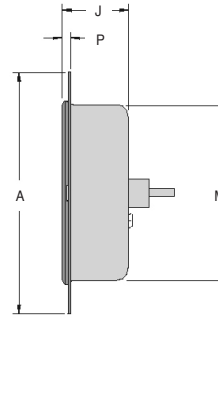
Mounting Dimensions for 80025



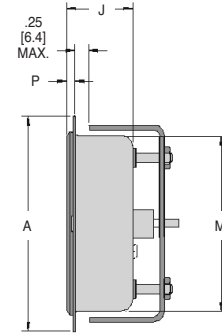
**80035 & 80036 Surface Mounted back flanged**



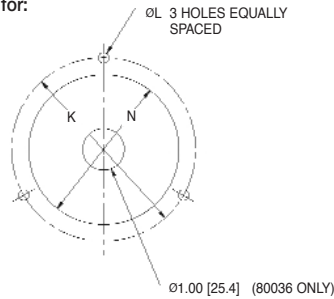
**80040 Flush Mounted front flanged**



**80041 Flush Mounted U-clamp**



Drilling Dimensions for:  
80035  
80036  
80040  
80041



Model	A	C	F	J	K	L	M	N	P
80025	N/A	3.67 [93.2]	0.32 [8.2]	1.33 [33.9]	N/A	N/A	3.51 [89.2]	N/A	N/A
80035	4.91 [124.7]	3.67 [93.2]	0.43 [11.0]	1.44 [36.6]	4.25 [108]	0.25 [6.4]	N/A	N/A	N/A
80036	4.91 [124.7]	3.67 [93.2]	N/A	1.44 [36.6]	4.25 [108]	0.25 [6.4]	N/A	N/A	N/A
80040	4.84 [122.9]	N/A	N/A	1.33 [33.6]	4.25 [108]	0.25 [6.4]	3.51 [89.2]	3.62 [92.0]	0.17 [4.3]
80041	4.31 [109.5]	N/A	N/A	1.33 [33.8]	N/A	N/A	3.51 [89.2]	3.62 [92.0]	0.17 [4.3]

**Standard Ranges (Dual Scale includes both Fahrenheit & Celsius)**

Vapor Actuated				
Fahrenheit Scale Range Code	Fahrenheit Scale Range	Celsius Scale Range Code	Celsius Scale Range	Dual Scale Range Code
030	-40° to 150°F	430	-40° to 65°C	230
040	-20° to 100°F	440	-30° to 40°C	240
050	0° to 100°F	450	-20° to 40°C	250
065	0° to 160°F	465	-20° to 70°C	265
100	30° to 180°F	500	0° to 85°C	300
110	30° to 240°F	510	0° to 115°C	310
120	30° to 300°F	520	0° to 150°C	320
145	100° to 350°F	545	40° to 180°C	345
160	200° to 450°F	560	90° to 230°C	360

Liquid Actuated				
Fahrenheit Scale Range Code	Fahrenheit Scale Range	Celsius Scale Range Code	Celsius Scale Range	Dual Scale Range Code
020	-40° to 120°F	420	-40° to 50°C	220
050	0° to 100°F	450	-20° to 40°C	250
060	0° to 160°F	460	-20° to 70°C	260
100	30° to 180°F	495	0° to 80°C	300
110	30° to 240°F	510	0° to 115°C	310
130	50° to 300°F	530	10° to 150°C	330

DIAL THERMOMETERS