

Rear Connect Compact Style

BIMETAL THERMOMETERS



B822Y04 shown

- ▶ 2" Dial Size
- ▶ ± 1.0% Full Scale Accuracy
- ▶ Stainless Steel Case & Stem
- ▶ Hermetically Sealed Design

Designed for minimum space applications, this compact, low-cost thermometer maintains the accuracy, responsiveness, and durability for which the Trerice Line of Bimetal Thermometers is known. The stainless steel case is hermetically sealed.

- Optional features available: Please consult the Options & Accessories Section for details.

Thermowell – Special Order Only

For correct use and application of all Bimetallic thermometers, please refer to the Bimetallic Actuated Thermometer Standard ASME B40.3.

Specifications

Models	Dial Size
B822Y	2" (Threaded)
B822YP	2" (Plain)
Case	300 stainless steel, hermetically sealed
Stem	B822Y: 300 stainless steel 1/4" diameter B822YP: 300 stainless steel 9/64" diameter
Coil	Bimetallic, silicone dampened on ranges to 300°F (148°C), above 300°F not dampened
Connection	B822Y: Rear, 1/4 NPT B822YP: Rear, unthreaded
Window	Glass
Pointer	Balanced, black finished
Dial Face	Aluminum, silver background with black graduations and markings
External Reset	Yes
Accuracy	±1.0 % Full Scale ASME B40.3 Grade A

HOW TO ORDER

Sample Order Number: **B822Y 04 05**

Model	Stem Length	Range Code
B822Y	02 2 1/2"	Stem See Standard Ranges
B822YP	04 4" Stem	
	06 6" Stem	

Other stem lengths and ranges available. Please consult factory.

Standard Ranges

Dual Scale (Fahrenheit & Celsius Range)		Fahrenheit		Celsius	
Range Code	Range	Figure Intervals	Minor Divisions	Figure Intervals	Minor Divisions
02	-40° to 160°F & -40° to 70°C	20°	2°	10°	1°
03	25° to 125°F & -5° to 50°C	10°	1°	5°	1/2°
27	0° to 250°F & -20° to 120°C	50°	2°	20°	2°
05	20° to 240°F & -10° to 115°C	20°	2°	10°	1°
08	50° to 500°F & 10° to 260°C	50°	5°	20°	2°

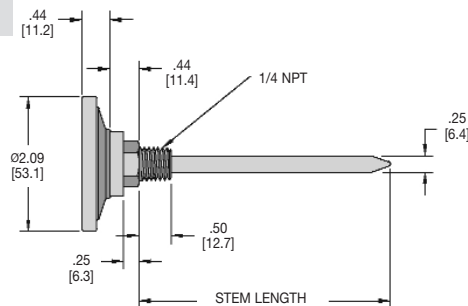
Approximate Shipping Weight

0.4 lbs [0.18 kg]

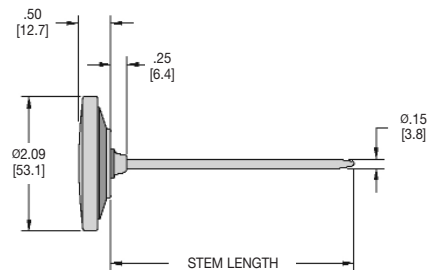
Additional Notes:

2 1/2" stem for B822YP is pointed. Stem for 4" and longer is rounded.

B822Y



B822YP



All dimensions are nominal. Dimensions in [] are in millimeters.