

# Direct Mounted Dial Thermometer

4 1/2" & 6" Cast Aluminum Case • Universal Angle

DIAL THERMOMETERS



V80742 shown

The Trerice **Universal Angle Dial Thermometer** is available in 4 1/2" and 6" dial sizes with a rugged cast aluminum case. After the sensing bulb has been installed, the case may be adjusted 180° front to back, and rotated 360° for maximum readability. This instrument is available with vapor or liquid actuation.

- Optional features available: Please consult the Optional Features Section for details.

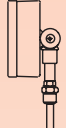
#### Thermowell

- For applications where the process media may be corrosive or contained under pressure, the use of a thermowell is required to prevent damage to the thermometer and facilitate its removal from the process.

(Refer to page 154)

- ▶ 4 1/2", 6" Dial Sizes
- ▶ ± 1 Scale Division Accuracy
- ▶ Cast Aluminum Case
- ▶ Vapor or Liquid Actuated

## Specifications

Models	Dial Sizes	Case Style
80742	4 1/2"	 Universal Angle
80762	6"	

**Movement** Brass

**Case Material**  
Cast Aluminum, black finish

**Window** Clear glass

**Ring** Friction type, stainless steel

**Pointer** Adjustable, black finish

**Dialface** Aluminum, white background with black graduations and markings

**Accuracy** ±1 scale division

#### Approximate Shipping Weight

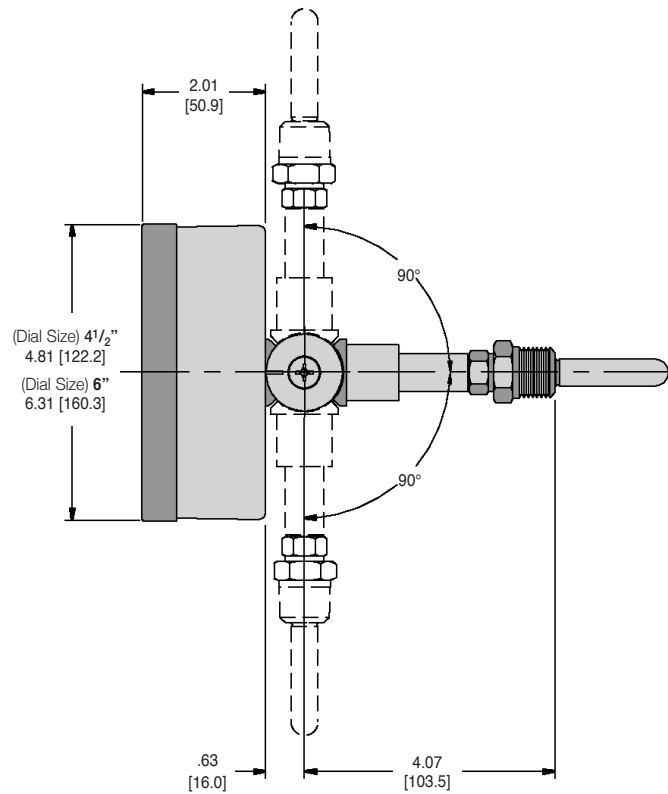
80742: 2.0 lbs [0.91 kg]  
80762: 2.4 lbs [1.09 kg]

## HOW TO ORDER

Sample Order Number: **L 80742 110 B35**

Actuation	Model	Range Code	Thermal System
V Vapor	80742	See Standard Ranges	See Thermal System Selection (pages 112-113)
L Liquid	80762		

All dimensions are nominal. Dimensions in [ ] are in millimeters.



DIAL THERMOMETERS

### Standard Ranges (Dual Scale includes both Fahrenheit & Celsius)

Vapor Actuated				
Fahrenheit Scale Range Code	Fahrenheit Scale Range	Celsius Scale Range Code	Celsius Scale Range	Dual Scale Range Code
030	-40° to 150°F	430	-40° to 65°C	230
040	-20° to 100°F	440	-30° to 40°C	240
050	0° to 100°F	450	-20° to 40°C	250
065	0° to 160°F	465	-20° to 70°C	265
100	30° to 180°F	500	0° to 85°C	300
110	30° to 240°F	510	0° to 115°C	310
120	30° to 300°F	520	0° to 150°C	320
145	100° to 350°F	545	40° to 180°C	345
160	200° to 450°F	560	90° to 230°C	360

Liquid Actuated				
Fahrenheit Scale Range Code	Fahrenheit Scale Range	Celsius Scale Range Code	Celsius Scale Range	Dual Scale Range Code
020	-40° to 120°F	420	-40° to 50°C	220
050	0° to 100°F	450	-20° to 40°C	250
060	0° to 160°F	460	-20° to 70°C	260
100	30° to 180°F	495	0° to 80°C	300
110	30° to 240°F	510	0° to 115°C	310
130	50° to 300°F	530	10° to 150°C	330