

# Direct Mounted Dial Thermometer

3 1/2" Stainless Steel Case & 4 1/2" Cast Aluminum Case • Adjustable Angle

DIAL THERMOMETERS



V80445 shown

- ▶ 3 1/2", 4 1/2" Dial Sizes
- ▶ ± 1 Scale Division Accuracy
- ▶ Stainless Steel or Cast Aluminum Case
- ▶ Vapor or Liquid Actuated

The Terrice **Adjustable Angle Dial Thermometer** is intended for use within the construction and HVAC industries. Once the sensing bulb has been installed, the angle of the dial-face may be adjusted forward and backward to provide maximum readability. This instrument is available in 3 1/2" and 4 1/2" dial sizes with a flangeless, stainless steel or cast aluminum case.

- Optional features available: Please consult the Optional Features Section for details.

#### Thermowell

- For applications where the process media may be corrosive or contained under pressure, the use of a thermowell is required to prevent damage to the thermometer and facilitate its removal from the process.

(Refer to page 154)

#### HOW TO ORDER

Sample Order Number: **V 80445 110 B31**

Actuation	Model	Specific Range	Thermal System
V Vapor	80030	See Standard Ranges	See Thermal System Selection (pages 112-113)*
L Liquid	80445 (vapor only)		

Stainless steel thermal system not available with V80445.

#### Specifications

Models	Dial Sizes	Case Styles
80030	3 1/2"	Adjustable Angle



80445 (Vapor Only)	4 1/2"	Adjustable Angle
-----------------------	--------	------------------



**Movement** Brass

#### Case Material

**80030:** Stainless steel  
**80445:** Cast aluminum, black finish

#### Window

**80030:** Acrylic, snap-in with Nitrile O-ring seal  
**80445:** Clear glass

#### Ring

**80030:** None  
**80445:** Friction-type, stainless steel

#### Pointer

Adjustable, black finish

#### Dialface

Aluminum, white background with black graduations and markings

#### Accuracy

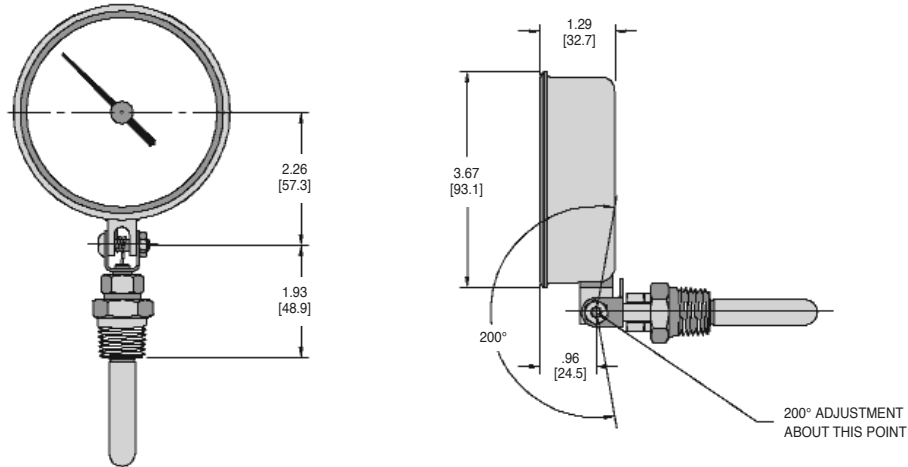
±1 scale division

#### Approximate Shipping Weight

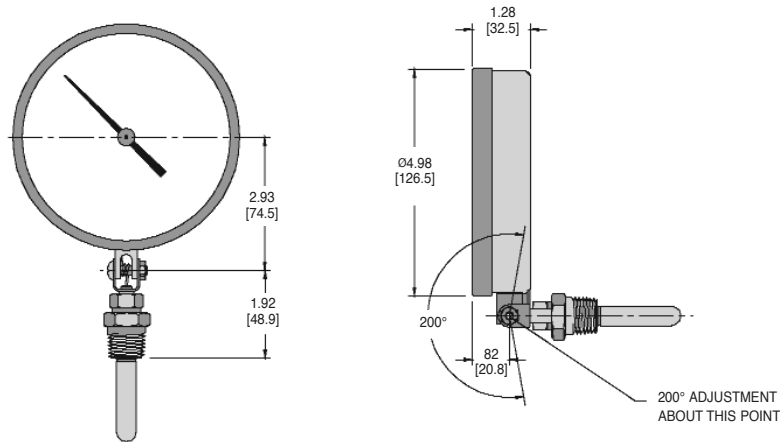
80030: 1.3 lbs [0.59 kg]  
 80445: 1.4 lbs [0.64 kg]

All dimensions are nominal. Dimensions in [ ] are in millimeters.

80030



80445



**Standard Ranges (Dual Scale includes both Fahrenheit & Celsius)**

Vapor Actuated				
Fahrenheit Scale Range Code	Fahrenheit Scale Range	Celsius Scale Range Code	Celsius Scale Range	Dual Scale Range Code
030	-40° to 150°F	430	-40° to 65°C	230
040	-20° to 100°F	440	-30° to 40°C	240
050	0° to 100°F	450	-20° to 40°C	250
065	0° to 160°F	465	-20° to 70°C	265
100	30° to 180°F	500	0° to 85°C	300
110	30° to 240°F	510	0° to 115°C	310
120	30° to 300°F	520	0° to 150°C	320
145	100° to 350°F	545	40° to 180°C	345
160	200° to 450°F	560	90° to 230°C	360

Liquid Actuated				
Fahrenheit Scale Range Code	Fahrenheit Scale Range	Celsius Scale Range Code	Celsius Scale Range	Dual Scale Range Code
020	-40° to 120°F	420	-40° to 50°C	220
050	0° to 100°F	450	-20° to 40°C	250
060	0° to 160°F	460	-20° to 70°C	260
100	30° to 180°F	495	0° to 80°C	300
110	30° to 240°F	510	0° to 115°C	310
130	50° to 300°F	530	10° to 150°C	330