

Electronic Temperature Sensor

Connection Head Type • RTD or Thermocouple

CONTROLLER ACCESSORIES



TJDZD4UWA shown

- ▶ Thermocouple or RTD
- ▶ Cast Aluminum Polypropylene or Stainless Steel Head
- ▶ Weather Proof
- ▶ Welded or Spring Loaded Stem

The Terrice **Connection Head** is available with both Type J and Type K Thermocouples, as well as RTD sensors. The weather proof head provides a conduit connection and is available in cast aluminum (screw cover), polypropylene (flip cover) and stainless steel (screw cover). The stem is either welded directly to the 1/2 NPT threaded connection, or is spring-loaded to provide maximum sensitivity. The spring-loaded stem must always be installed in a thermowell.

Extension wire and transmitter accessories are also available. Please consult the Temperature Sensor Accessories Section for details.

For applications where the process media may be corrosive or contained under pressure, the use of a thermowell is required to prevent damage to the sensor and facilitate its removal from the process. To prevent leakage of the process media, spring loaded sensors must always be installed in a thermowell.

Specifications

Sensors	Description
TJD	Type J T/C
TKD	Type K T/C
TDD	100Ω RTD
TMD	1000Ω RTD

Hot Junction

T/C: Ungrounded
RTD: Platinum, 3-Wire

Stem

316 stainless steel
1/4" diameter

Insulation

Ceramic

Head

Cast aluminum, polypropylene, stainless steel

Process Connection

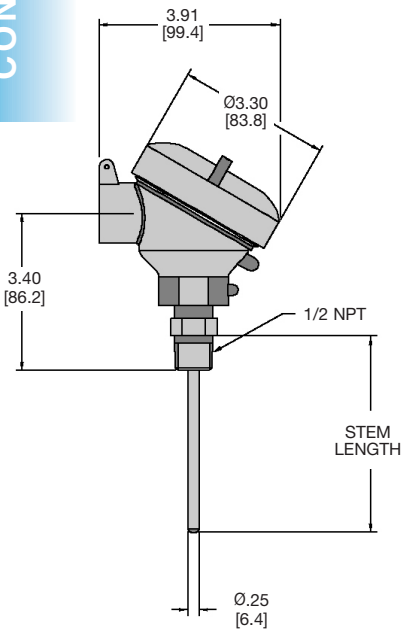
1/2 NPT welded or spring-loaded

Conduit Connection

3/4 NPT Female

Approximate Shipping Weight

1.1 lbs [0.50 kg]



All dimensions are nominal.
Dimensions in [] are in millimeters.

Sensor Specifications

Thermocouple

Type	Color Code	Positive Lead	Negative Lead	Temperature Range
J	Black	Iron* (Fe) [white]	Constantan (Cu-Ni) [red]	32° to 1382°F (0° to 750°C)
K	Yellow	Nickel-Chromium (Ni-Cr) [yellow]	Nickel-Aluminum* (Ni-Al) [red]	32° to 2282°F (0° to 1250°C)

*magnetic lead

RTD

Type	Material	Resistance @ 0°C	Temperature Coefficient	Temperature Range
D	Platinum (Pt)	100Ω	a = 0.00385Ω/Ω/°C	-50° to 700°F (-45° to 400°C)
M	Platinum (Pt)	1000Ω	a = 0.00385Ω/Ω/°C	-50° to 700°F (-45° to 400°C)

HOW TO ORDER

Sample Order Number: **TJD Z 04 U W A**

Sensor	Stem Style	Stem Length	Hot Junction	Connection	Head Material
TJD Type J T/C	Z 316SS, 1/4 O.D.	02 2 1/2" Stem	U Ungrounded (T/C)	S Spring Loaded, 1/2 NPT	A Aluminum
TKD Type K T/C		04 4" Stem	D 3 Wire (RTD)	W Welded, 1/2 NPT	P Polypropylene
TDD 100Ω RTD		06 6" Stem			S Stainless Steel
TMD 1000Ω RTD		09 9" Stem			
		12 12" Stem			

Other Lengths: Specify in inches (24" maximum)
Other sensor styles available. Please consult the Terrice Temperature Section.

